

4

3

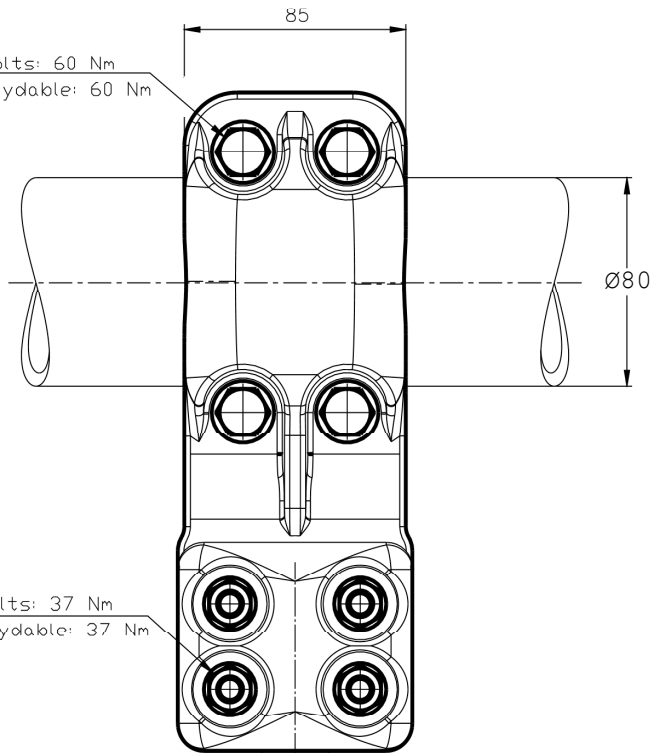
2

1

THIS DRAWING IS UNPUBLISHED. RELEASED FOR PUBLICATION  
 © COPYRIGHT - By - ALL RIGHTS RESERVED.

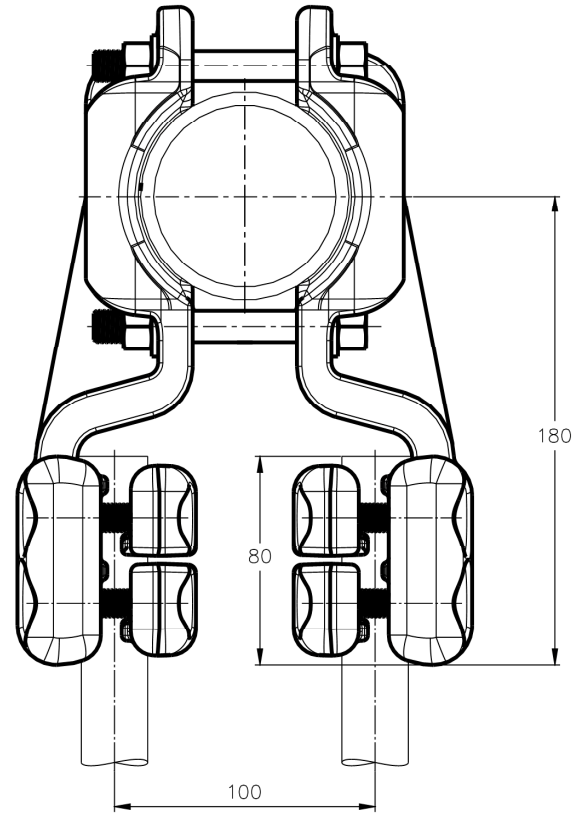
REVISIONS				
P	LTR	DESCRIPTION	DATE	APVD
	A	CREATION	07-Jun-16	PG

M12 Stainless steel bolts: 60 Nm  
 Boulons M12 acier inoxydable: 60 Nm



M10 Stainless steel bolts: 37 Nm  
 Boulons M10 acier inoxydable: 37 Nm

Ø20.6-22.5



THIS DRAWING IS A CONTROLLED DOCUMENT.		DWN	01-Jun-16		<b>STE</b> TE Connectivity											
		CHK	GARNIER P.													
DIMENSIONS: mm		APVD	NAME		5 MT 82 A T80 S225 E100											
TOLERANCES UNLESS OTHERWISE SPECIFIED:		PRODUCT SPEC	-													
<table border="0"> <tr><td>0 PLC</td><td>± -</td></tr> <tr><td>1 PLC</td><td>± -</td></tr> <tr><td>2 PLC</td><td>± -</td></tr> <tr><td>3 PLC</td><td>± -</td></tr> <tr><td>4 PLC</td><td>± -</td></tr> <tr><td>ANGLES</td><td>± -</td></tr> </table>		0 PLC	± -	1 PLC		± -	2 PLC	± -	3 PLC	± -	4 PLC	± -	ANGLES	± -	APPLICATION SPEC	108-69096-001
0 PLC	± -															
1 PLC	± -															
2 PLC	± -															
3 PLC	± -															
4 PLC	± -															
ANGLES	± -															
MATERIAL	FINISH	WEIGHT	SIZE	CAGE CODE	DRAWING NO											
-	-	3.3 kg	A3	00779	C-2305015-											
CUSTOMER DRAWING			RESTRICTED TO	SCALE	SHEET											
			-	1/2	1 OF 1											
			REV	A												

ITEM:.....