

4

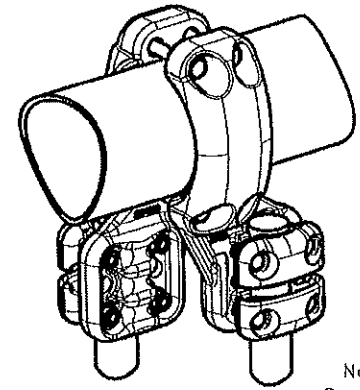
3

2

1

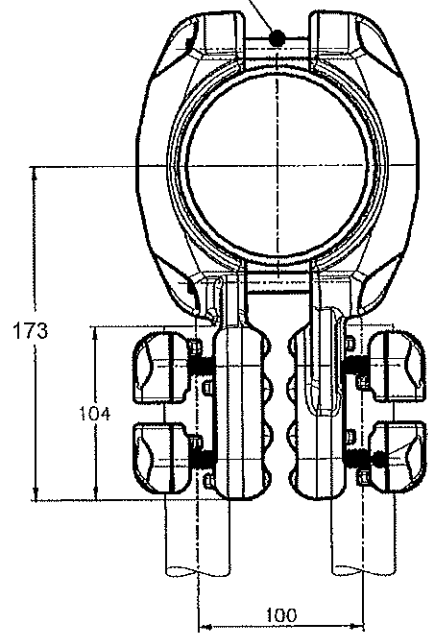
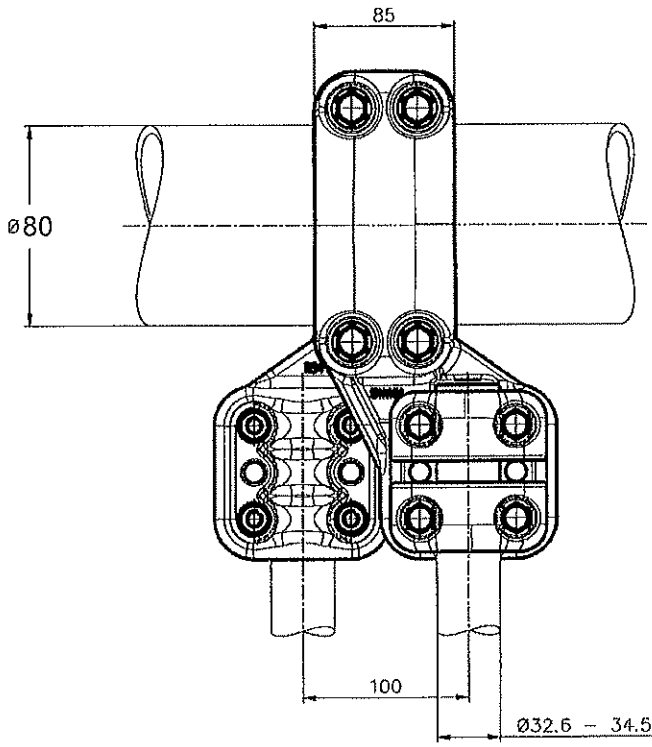
THIS DRAWING IS UNPUBLISHED. RELEASED FOR PUBLICATION
 © COPYRIGHT -- By -- ALL RIGHTS RESERVED.

REVISIONS					
P	LR	DESCRIPTION	DATE	DM	APVD
A		CREATION	22-NOV-17	GL	--



No scale
Sons échelle

M12 Bolts stainless steel A2: 60Nm
 Boulons M12 acier inoxydable A2: 60Nm



M10 Bolts stainless steel A2: 37Nm
 Boulons M10 acier inoxydable A2: 37Nm

THIS DRAWING IS A CONTROLLED DOCUMENT.		DM LAFORGE	22-NOV-17	TE TE Connectivity	
DIMENSIONS: mm		ENR		TEE CONNECTOR FOR TUBE TO TWIN CONDUCTORS RACCORD EN TE POUR TUBE VERS FAISCEAU DOUBLE	
TOLERANCES UNLESS OTHERWISE SPECIFIED:		APVD	NAVE	108-69096-001	
0 PLC ± -		PRODUCT SPEC		5 MT 82 A T80 M345 E100	
1 PLC ± -		APPLICATION SPEC		SIZE	CAGE CODE
2 PLC ± -		MATERIAL		A3	00779
3 PLC ± -		FINISH		DRAWING NO	
4 PLC ± -		APPROX. WEIGHT		2328138	
5 PLC ± -		CUSTOMER DRAWING		SCALE	1:3
ANGLES * -		SHEET		1 OF 1	
MATERIAL		REV		A	

ITEM: C/106