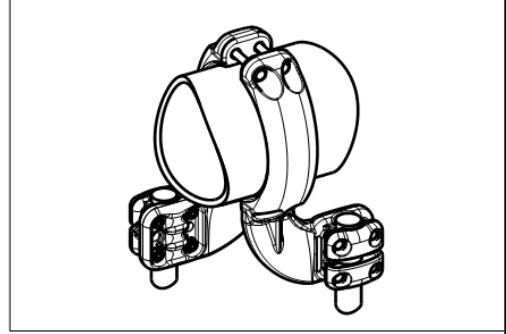
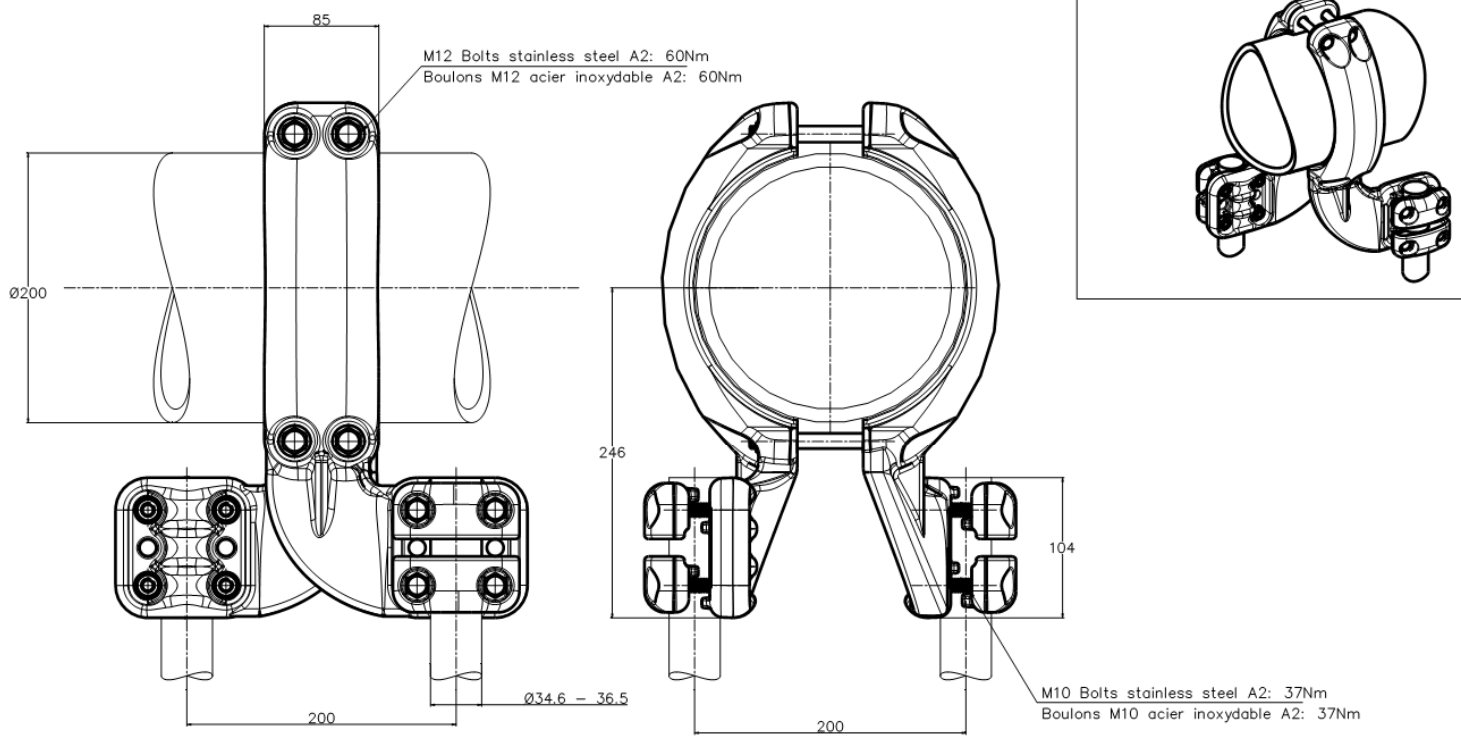


THIS DRAWING IS UNPUBLISHED. RELEASED FOR PUBLICATION  
 © COPYRIGHT - By - ALL RIGHTS RESERVED.

REVISIONS					
P	LTR	DESCRIPTION	DATE	DWI	APVD
A		CREATION	10-NOV-20	GL	-



THIS DRAWING IS A CONTROLLED DOCUMENT.		DWI	10-NOV-20		TE Connectivity
		CHK	LAFORGE		
DIMENSIONS: mm		TOLERANCES UNLESS OTHERWISE SPECIFIED:		APVD	NAME
		0 PLC	± -	PRODUCT SPEC	TEE CONNECTOR FOR TUBE TO TWIN
		1 PLC	± -	108-69196-006	RACCORD EN TE POUR TUBE VERS FAISCEAU DOUBLE
		2 PLC	± -	APPLICATION SPEC	5 MT 82 A T200 M365 E200
		3 PLC	± -		SIZE
		4 PLC	± -		CAGE CODE
		ANGLES	± -		DRAWING NO
MATERIAL	FINISH	APPROX. WEIGHT		8.4 kg	RESTRICTED TO
-	-	CUSTOMER DRAWING		A.300779	©=2382456
				SCALE	2:5
				SHEET	1 of 1
				REV	A

ITEM:.....