

THIS DRAWING IS UNPUBLISHED.

RELEASED FOR PUBLICATION

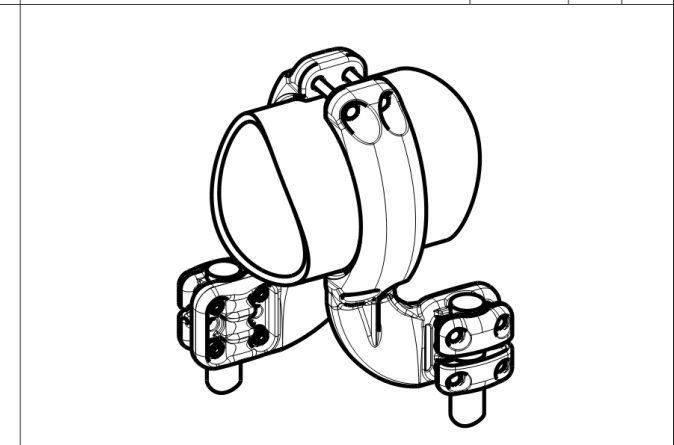
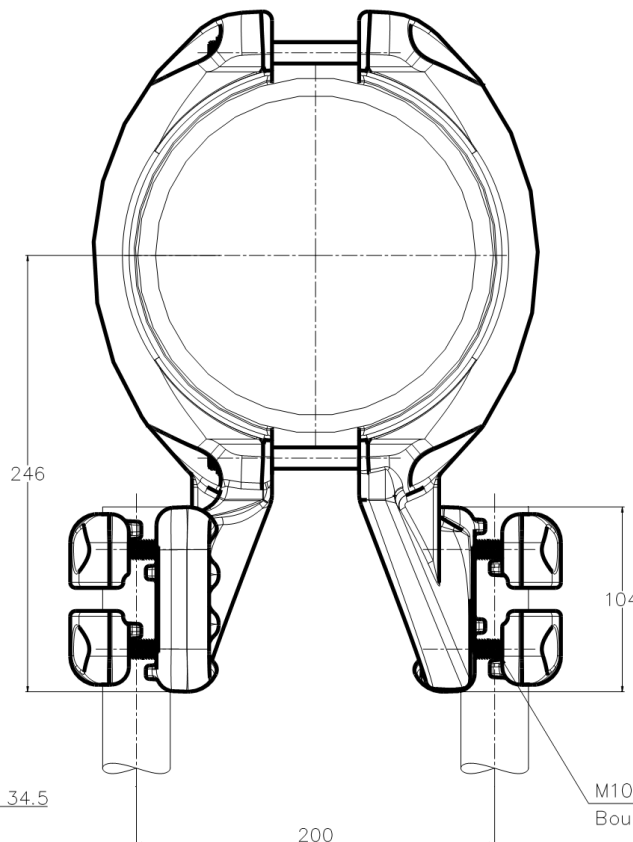
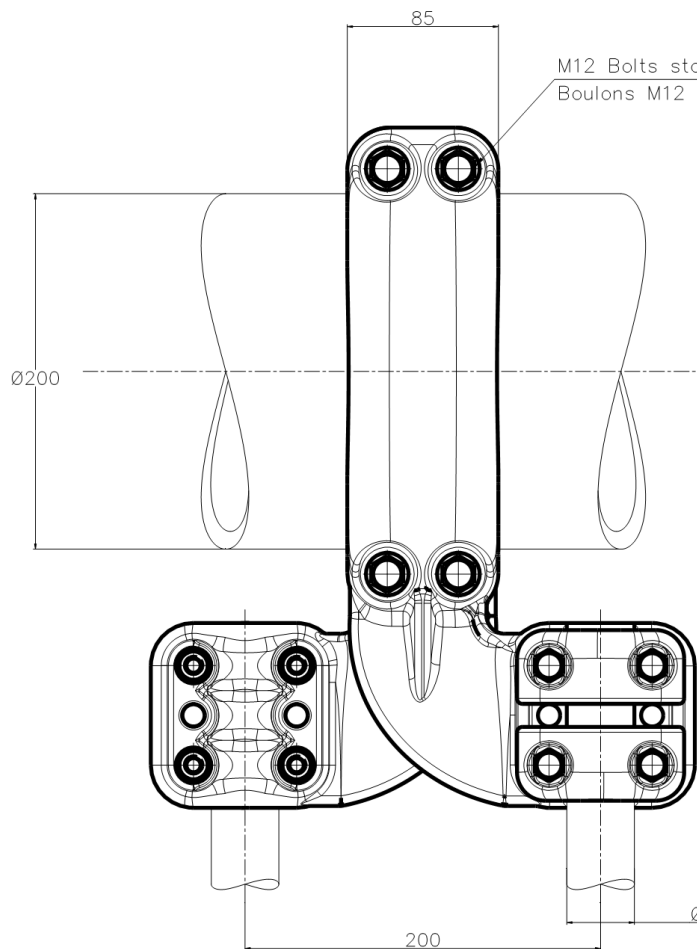
-.-

© COPYRIGHT - By -

ALL RIGHTS RESERVED.

REVISIONS

P	LTR	DESCRIPTION	DATE	DWN	APVD
A		CREATION	28JUN2018	GL	-



ITEM: 5.13

THIS DRAWING IS A CONTROLLED DOCUMENT.		DWN LAForge	27-JUN-17	STE TE Connectivity	
DIMENSIONS: mm		CHK -	APVD -		
TOLERANCES UNLESS OTHERWISE SPECIFIED:		PRODUCT SPEC		NAME TEE CONNECTOR FOR TUBE TO TWIN RACCORD EN TE POUR TUBE VERS FAISCEAU DOUBLE	
<ul style="list-style-type: none"> 0 PLC ± - 1 PLC ± - 2 PLC ± - 3 PLC ± - 4 PLC ± - ANGLES ± - 		108-69196-006		5 MT 82 A T200 M345 E200	
MATERIAL		APPLICATION SPEC		SIZE	RESTRICTED TO
FINISH		APPROX. WEIGHT 8.4 kg		CAGE CODE A300779	DRAWING NO C=2338276
CUSTOMER DRAWING				SCALE 2:5	SHEET 1 OF 1
				REV A	