

4

3

2

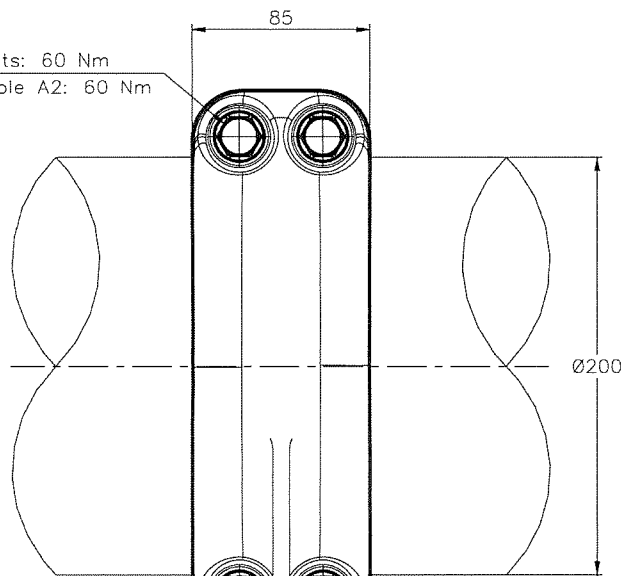
1

© - TE Connectivity. All Rights Reserved.

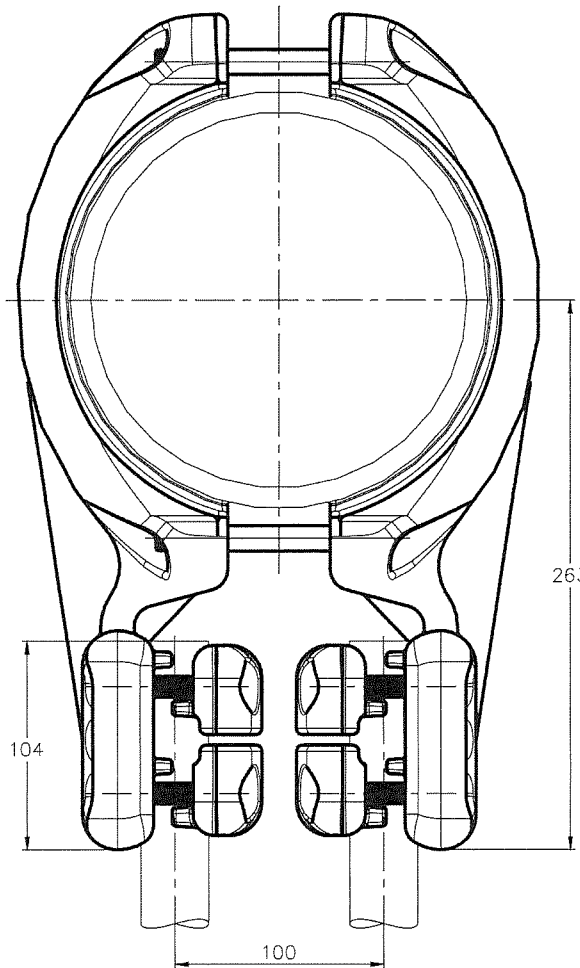
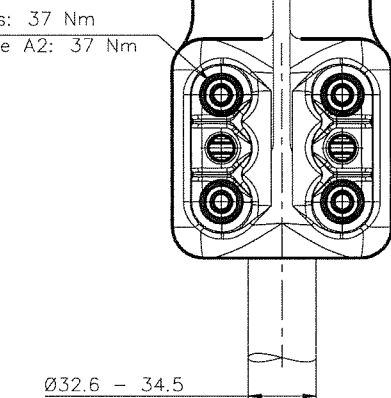
REVISIONS

P	LTR	DESCRIPTION	DATE	OWN	APVD
A		CREATION	5-MAR-20	GL	-

M12 Stainless steel A2 bolts: 60 Nm  
 Boulons M12 acier inoxydable A2: 60 Nm



M10 Stainless steel A2 bolts: 37 Nm  
 Boulons M10 acier inoxydable A2: 37 Nm



THIS DRAWING IS A CONTROLLED DOCUMENT.		DWN LAFORGE	5-MAR-20	<b>TE</b> TE Connectivity													
DIMENSIONS: mm		CHK -	APVD -			NAME Tee connector Connecteur en T											
TOLERANCES UNLESS OTHERWISE SPECIFIED:		PRODUCT SPEC 108-69096-001		5 MT 82 A T200 M345 E100 SP													
<table border="0"> <tr><td>0 PLC</td><td>± -</td></tr> <tr><td>1 PLC</td><td>± -</td></tr> <tr><td>2 PLC</td><td>± -</td></tr> <tr><td>3 PLC</td><td>± -</td></tr> <tr><td>4 PLC</td><td>± -</td></tr> <tr><td>ANGLES</td><td>± -</td></tr> </table>		0 PLC	± -	1 PLC	± -	2 PLC	± -	3 PLC	± -	4 PLC	± -	ANGLES	± -	APPLICATION SPEC -		SIZE A3	CAGE CODE 00779
0 PLC	± -																
1 PLC	± -																
2 PLC	± -																
3 PLC	± -																
4 PLC	± -																
ANGLES	± -																
MATERIAL -	FINISH -	WEIGHT 5.3 kg	DRAWING NO C=2370666	RESTRICTED TO -													
CUSTOMER DRAWING			SCALE 2:5	SHEET 1 of 1	REV A												