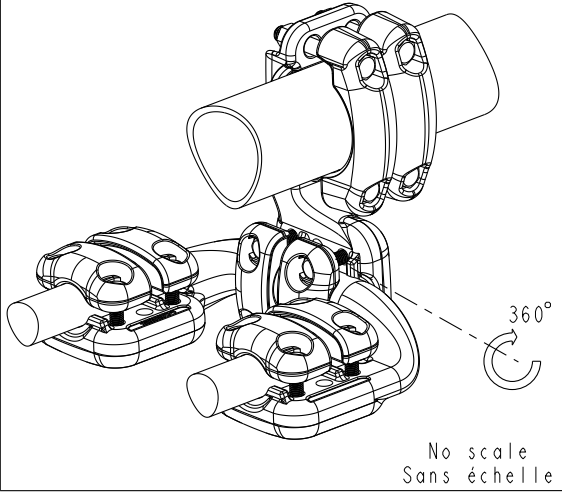
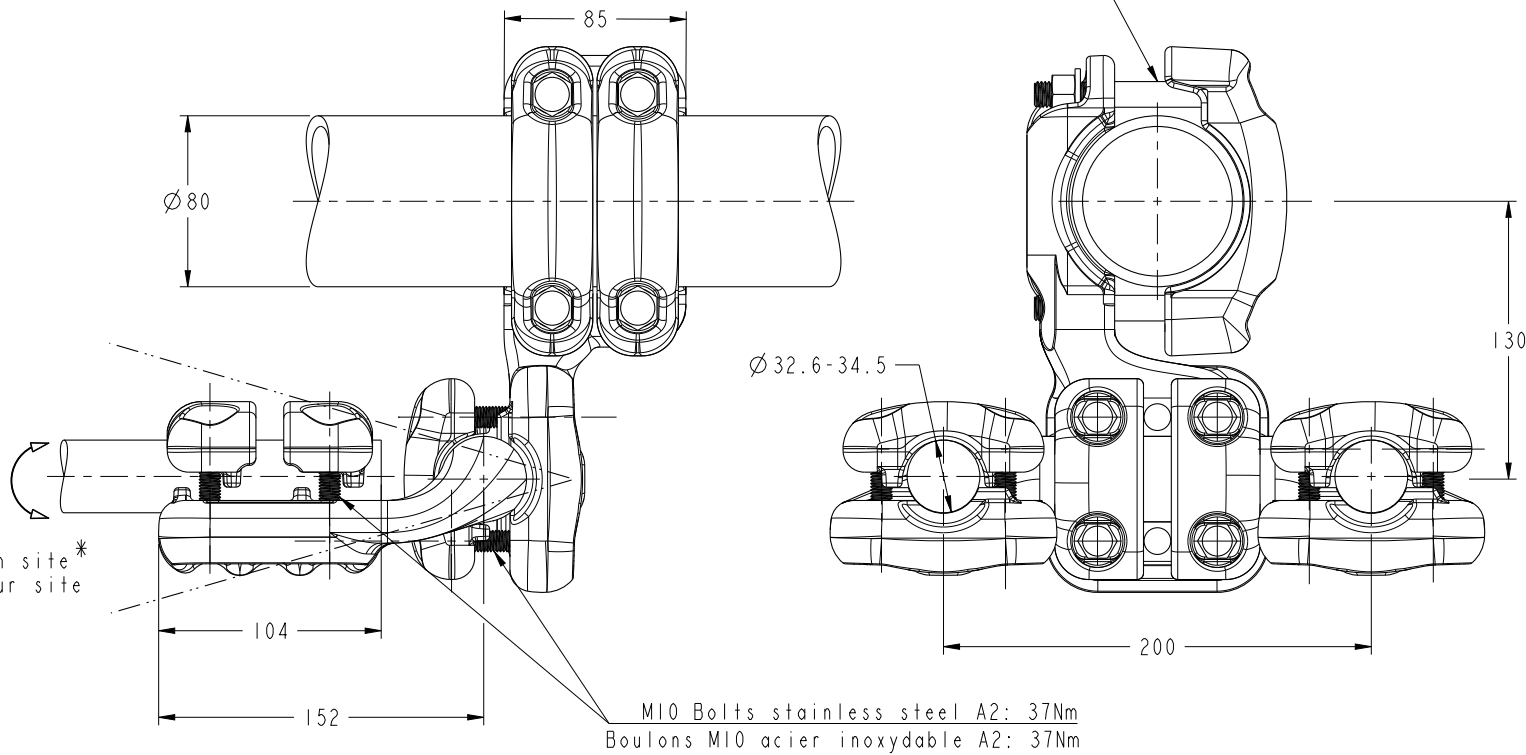


REVISIONS					
P	LTR	DESCRIPTION	DATE	DWN	APVD
	A	CREATION	27SEP2022	SM	CG

M12 Bolts stainless steel A2: 60Nm
 Boulons M12 acier inoxydable A2: 60Nm



on site*
 sur site

*
 In case of loosening contact surfaces must be cleaned and greased
 Refer to installation instruction
 En cas de desserrage, les surfaces de contact doivent être nettoyées et graissées
 Se référer à la notice d'installation

6

THIS DRAWING IS A CONTROLLED DOCUMENT.		DWN SATYA.M 27SEP2022	TE Connectivity			
DIMENSIONS: mm		CHK M.PREVOT 27SEP2022				
TOLERANCES UNLESS OTHERWISE SPECIFIED:		APVD C.GLOMMEAU 27SEP2022	NAME			
0 PLC ±- 1 PLC ±- 2 PLC ±- 3 PLC ±- 4 PLC ±- ANGLES ±-		PRODUCT SPEC 108-69096-001	ADJUSTABLE CONNECTOR FOR TUBE TO TWIN CONDUCTORS RACCORD ADJUSTABLE POUR TUBE VERS FAISCEAU DOUBLE 5 MJA 82 A T80 M345 E200			
MATERIAL -		APPLICATION SPEC -	SIZE A3	CAGE CODE 00779	DRAWING NO C=2432549	RESTRICTED TO -
FINISH -		WEIGHT 3.3 kg	SCALE 2:5		SHEET 1 OF 1	REV A
		CUSTOMER DRAWING				