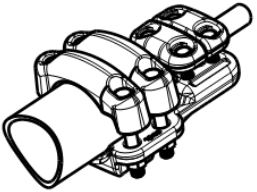
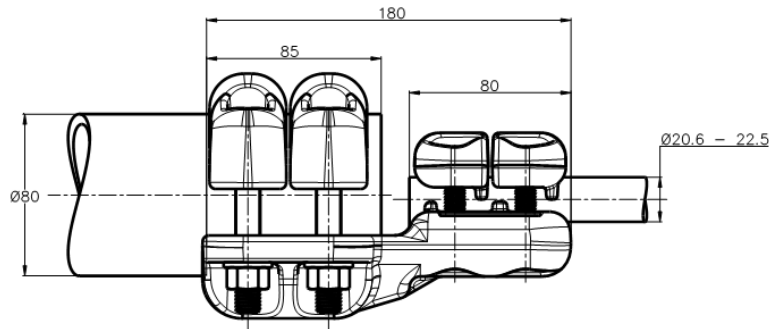


THIS DRAWING IS UNPUBLISHED. RELEASED FOR PUBLICATION
 © COPYRIGHT - By - ALL RIGHTS RESERVED.

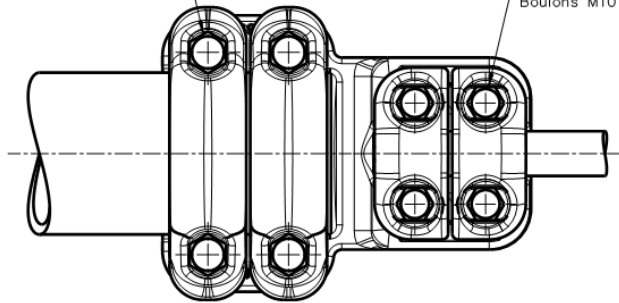
REVISIONS					
P	LR	DESCRIPTION	DATE	DWI	APVD
A		CREATION	20-NOV-17	BH	-



No scale
 Sans échelle

M12 Bolts stainless steel A2: 60Nm
 Boulons M12 acier inoxydable A2: 60Nm

M10 Bolts stainless steel A2: 37Nm
 Boulons M10 acier inoxydable A2: 37Nm



THIS DRAWING IS A CONTROLLED DOCUMENT.		DWI HUARD	20-Nov-17	TE Connectivity	
DIMENSIONS: mm		CHK -	APVD -	NAME STRAIGHT CONNECTOR RACCORD DROIT	
TOLERANCES UNLESS OTHERWISE SPECIFIED: 0 PLC ± - 1 PLC ± - 2 PLC ± - 3 PLC ± - 4 PLC ± - ANGLES ± -		PRODUCT SPEC 108-69096-001	APPLICATION SPEC -	SIZE CAGE CODE DRAWING NO A3 00779 C=2328129	
MATERIAL -	FINISH -	APPROX. WEIGHT 1.5 kg	CUSTOMER DRAWING	SCALE 1:2	RESTRICTED TO -
			SHEET 1 of 1	REV A	

ITEM:.....