

4

3

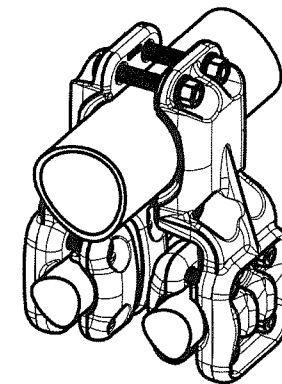
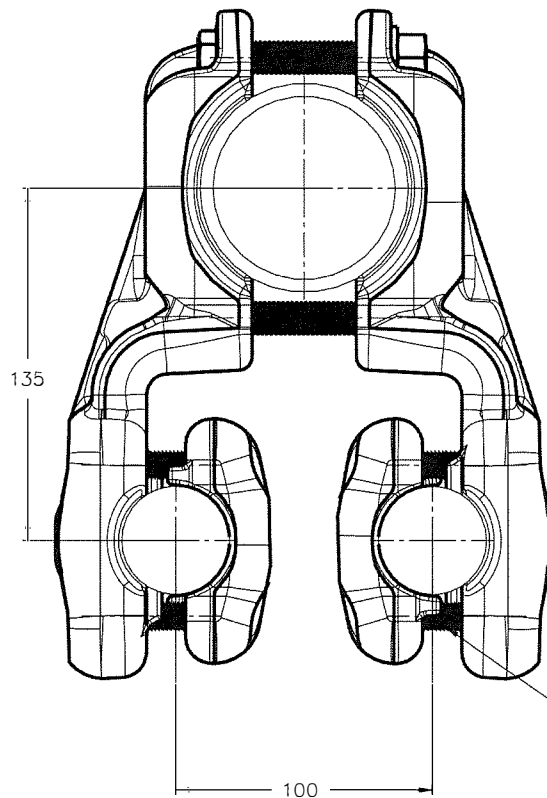
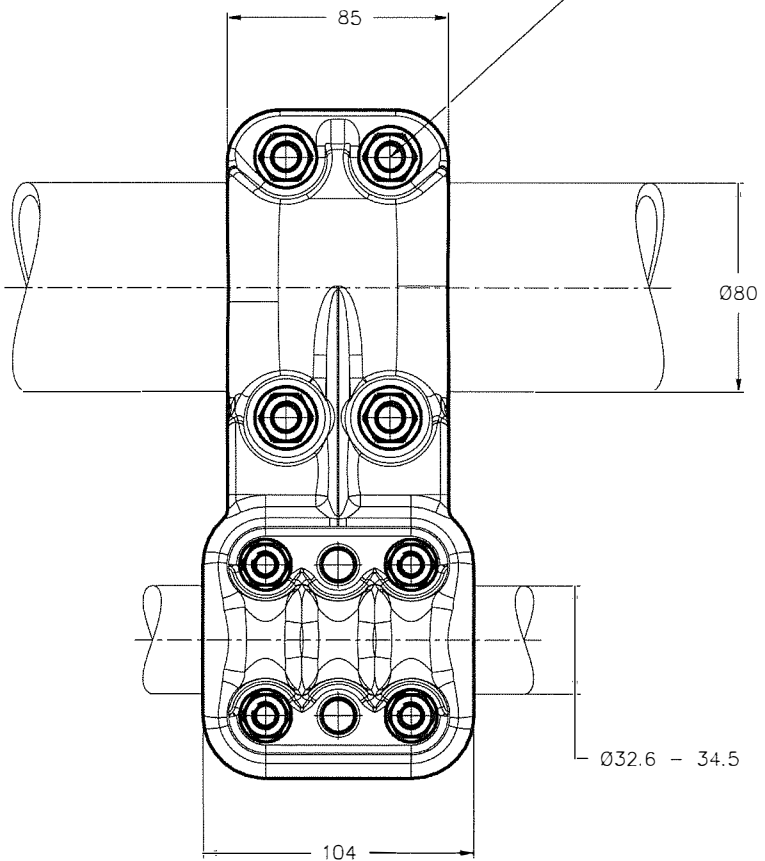
2

1

THIS DRAWING IS UNPUBLISHED. RELEASED FOR PUBLICATION
 © COPYRIGHT - By - ALL RIGHTS RESERVED.

REVISIONS				
P	LTR	DESCRIPTION	DATE	APVD
A		CREATION	13-JUNE-18	MT

M12 Bolts stainless steel A2: 60Nm
 Boulons M12 acier inoxydable A2: 60Nm



No scale
 Sans échelle

M10 Bolts stainless steel A2: 37Nm
 Boulons M10 acier inoxydable A2: 37Nm

THIS DRAWING IS A CONTROLLED DOCUMENT.		DWN	13-JUNE-18		TE TE Connectivity	
		CHK	TAL PIN			
DIMENSIONS:		TOLERANCES UNLESS OTHERWISE SPECIFIED:		NAME		
mm		0 PLC ± -		STRAIGHT CONNECTOR FOR TUBE TO TWIN CONDUCTORS		
		1 PLC ± -		RACCORD DROIT POUR TUBE VERS FAISCEAU DOUBLE		
		2 PLC ± -		5 MJ 82 A T80 M345 E100		
		3 PLC ± -		SIZE		
		4 PLC ± -		CAGE CODE		
MATERIAL		FINISH		DRAWING NO		RESTRICTED TO
-		-		C-2338126		-
		APPROX. WEIGHT		SCALE		SHEET
		4 kg		1:2		1 of 1
		CUSTOMER DRAWING		REV		A

ITEM:.....