

4

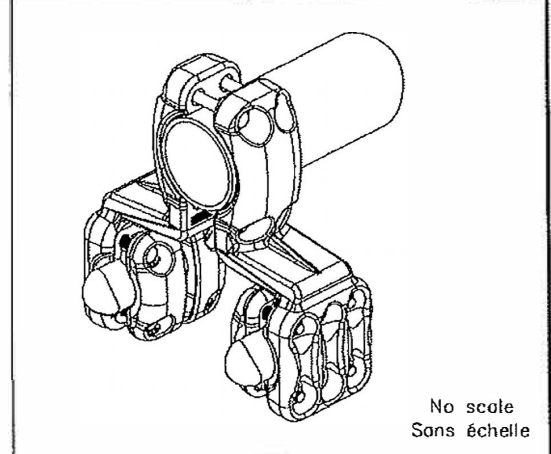
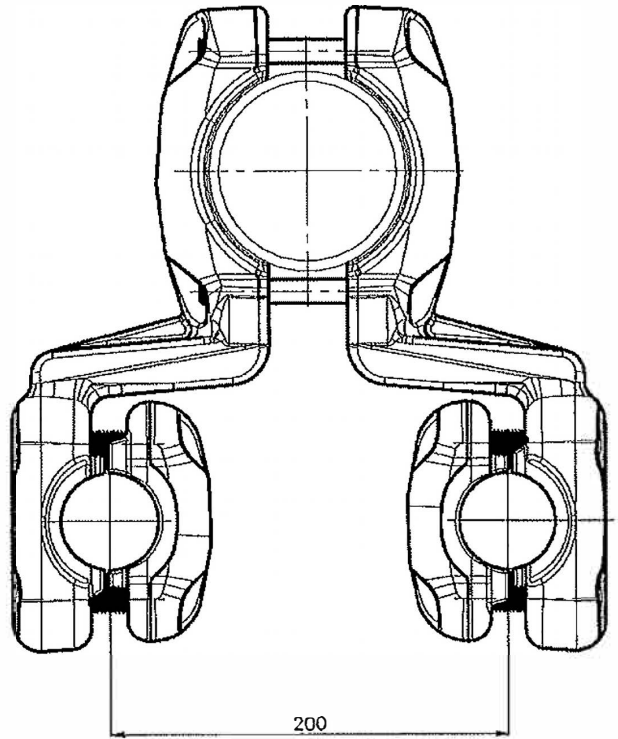
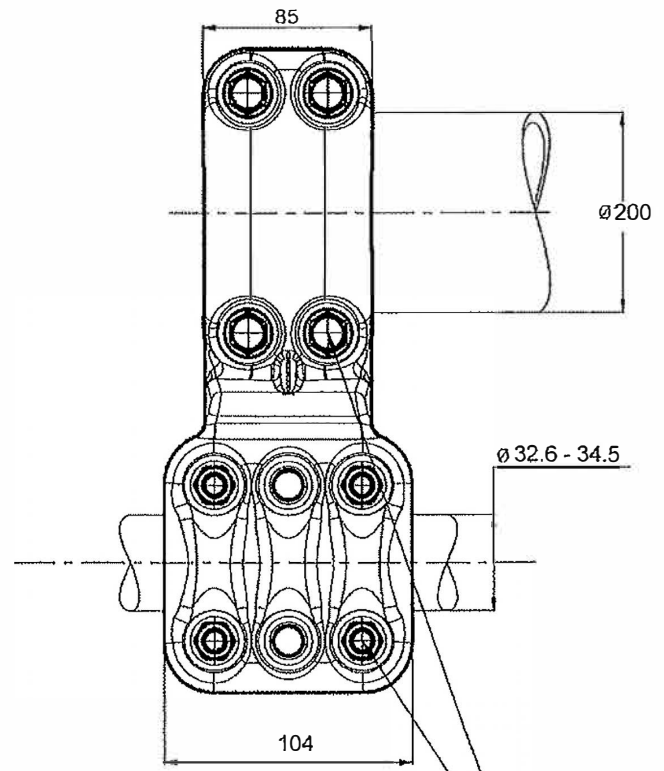
3

2

1

THIS DRAWING IS UNPUBLISHED. RELEASED FOR PUBLICATION ALL RIGHTS RESERVED.

REVISIONS					
P	LTR	DESCRIPTION	DATE	DRY	APVD
A		CREATION	12-OCT-17	GL	-



M12 Bolts stainless steel A2: 60Nm  
Boulons M12 acier inoxydable A2: 60Nm

ITEM:.....

THIS DRAWING IS A CONTROLLED DOCUMENT.		ORIG LAEORGE	12-OCT-17	TE Connectivity	
DIMENSIONS: mm		APVD	NAME		
TOLERANCES UNLESS OTHERWISE SPECIFIED:		PRODUCT SPEC		STRAIGHT CONNECTOR TUBE TO TWIN JONCTION PARALLELE TUBE VERS FAISCEAU DOUBLE	
0 PLC ± -		APPLICATION SPEC		5 MJ 82 A T200 M345 E200	
1 PLC ± -		APPROX. WEIGHT		SIZE	RESTRICTED TO
2 PLC ± -		kg		A3	
3 PLC ± -		CUSTOMER DRAWING		CAGE CODE	DRAWING NO
4 PLC ± -		SCALE		00779	2326625
ANGLES ± -		SHEET		2:5	1 of 1
FINISH		REV			A