

4

3

2

1

THIS DRAWING IS UNPUBLISHED.

RELEASED FOR PUBLICATION

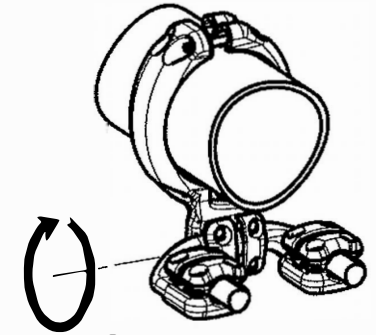
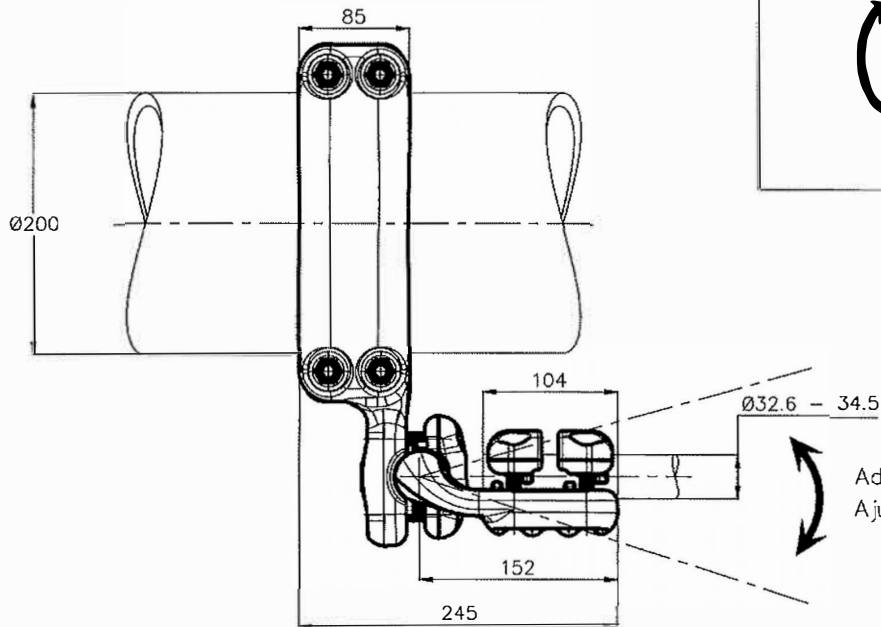
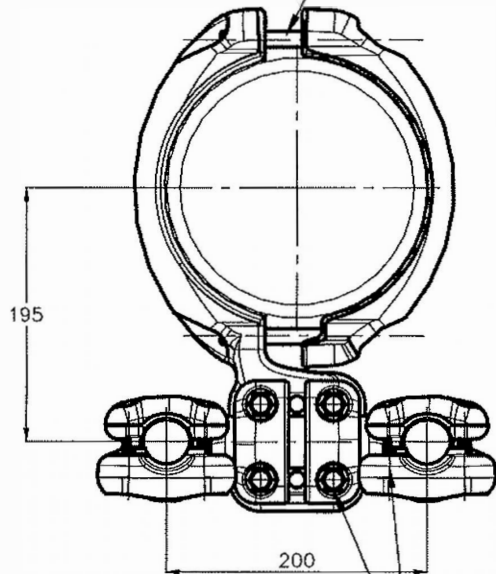
COPYRIGHT - By -

ALL RIGHTS RESERVED.

REVISIONS

P	L/R	DESCRIPTION	DATE	DM	APVD
B		DESIGN MODIFICATION	18-SEP-17	GL	-

M12 Bolts stainless steel A2: 60Nm  
 Boulons M12 acier inoxydable A2: 60Nm



360°

No scale  
Sans échelle

M10 Bolts stainless steel A2: 37Nm  
 Boulons M10 acier inoxydable A2: 37Nm

THIS DRAWING IS A CONTROLLED DOCUMENT.

18-SEP-17

LAFORGE

CHK

APVD

NAME



ADJUSTABLE CONNECTOR FOR TUBE TO TWIN CABLE  
RACCORD AJUSTABLE POUR TUBE VERS FAISCEAU DOUBLE

5 MA 82 A T200 M345 E200

DIMENSIONS:		TOLERANCES UNLESS OTHERWISE SPECIFIED:	
mm			
	1 PLC	±	-
	2 PLC	±	-
	3 PLC	±	-
	4 PLC	±	-
	ANGLES	±	-

MATERIAL

FINISH

PRODUCT SPEC

108-69096-001

APPLICATION SPEC

SIZE

CAGE CODE

DRAWING NO

RESTRICTED TO

APPROX. WEIGHT

5.67 kg

A300779

C=2321317

CUSTOMER DRAWING

SCALE 1:4

SHEET 1 of 1

REV B

D

C

B

A