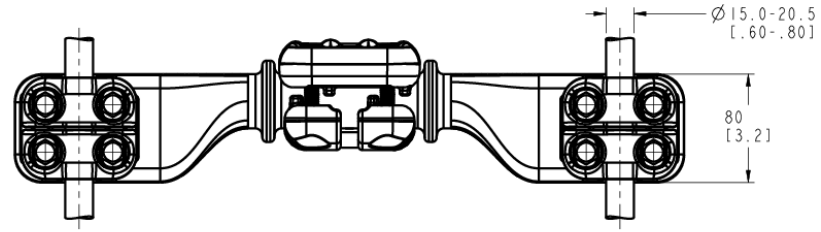
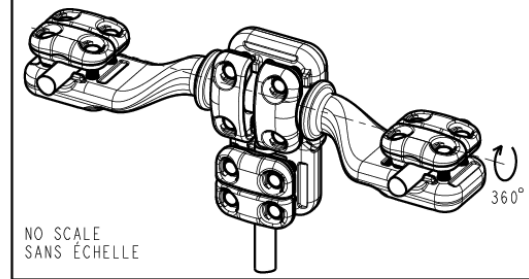
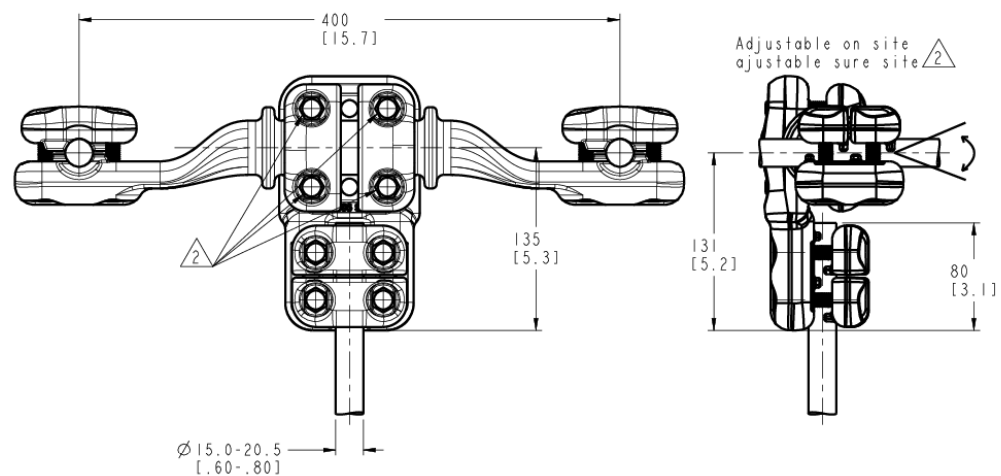


© 2020 TE Connectivity. All Rights Reserved.

REVISIONS					
P	LTR	DESCRIPTION	DATE	DWN	APVD
A		INITIAL REL. PER LC20-0109-20	04NOV2020	BM	MP



Notes:
 1. All connector bolts are M10 A2 stainless steel.
 M10 bolts to be tightened to 37Nm / 27.3ft-lb torque.
 Tous les boulons de connecteur sont en acier inoxydable A2 M10.
 Boulons M10 à serrer au couple de 37 Nm / 27.3ft-lb.

△ In case of loosening, contact surfaces must be cleaned and greased
 Refer to installation instruction
 En cas de desserrage, les surfaces de contact doivent être nettoyées
 et graissées
 Se référer à la notice d'installation

2365849-9
PART NO.

THIS DRAWING IS A CONTROLLED DOCUMENT.		DWN BHARATH B M 04NOV2020	STE TE Connectivity												
DIMENSIONS: mm[inch]		CHK J. GUPPY 04NOV2020													
TOLERANCES UNLESS OTHERWISE SPECIFIED:		APVD M. PREVOT 04NOV2020	NAME ADJUSTABLE CONNECTOR RACCORD AJUSTABLE 5 CTA 82 F S205 E400 S205												
<table border="1"> <tr><td>0 PLC</td><td>±</td></tr> <tr><td>1 PLC</td><td>±</td></tr> <tr><td>2 PLC</td><td>±</td></tr> <tr><td>3 PLC</td><td>±</td></tr> <tr><td>4 PLC</td><td>±</td></tr> <tr><td>ANGLES</td><td>#</td></tr> </table>		0 PLC	±	1 PLC	±	2 PLC	±	3 PLC	±	4 PLC	±	ANGLES	#	PRODUCT SPEC 108-69096-001	RESTRICTED TO
0 PLC	±														
1 PLC	±														
2 PLC	±														
3 PLC	±														
4 PLC	±														
ANGLES	#														
MATERIAL	FINISH	APPLICATION SPEC	SIZE CAGE CODE DRAWING NO												
-	-	-	A3 00779 C=2365849-9												
CUSTOMER DRAWING		WEIGHT 4.8 kg/10.5 lbs	SCALE SHEET OF REV												
			1:3 A												