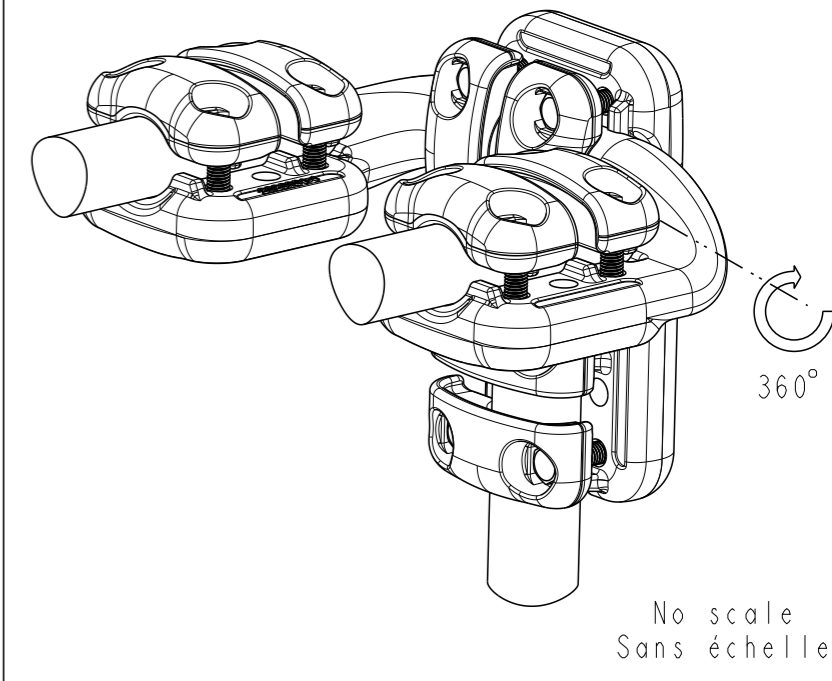
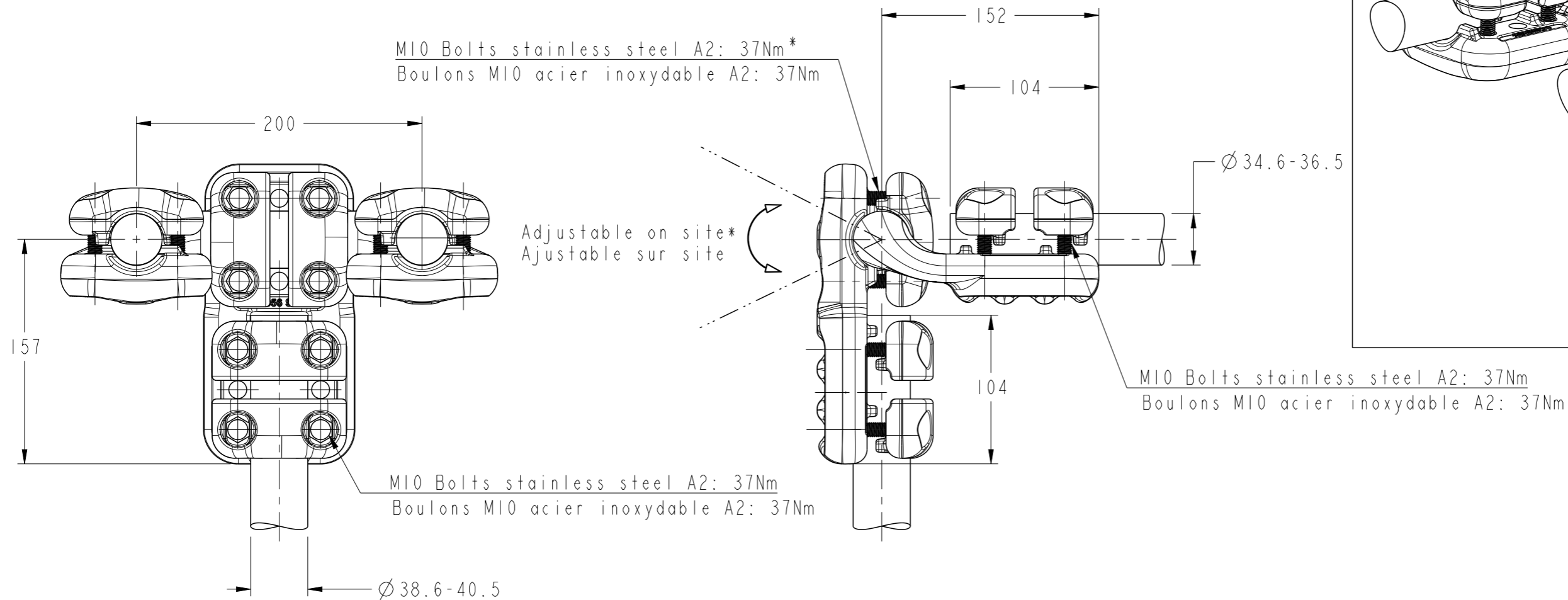


P	LTR	DESCRIPTION	DATE	DWN	APVD
	A	CREATION	03NOV2023	RS	CG



*
In case of loosening contact surfaces must be cleaned and greased
Refer to installation instruction

En cas de desserrage, les surfaces de contact doivent être nettoyées et graissées
Se référer à la notice d'installation

THIS DRAWING IS A CONTROLLED DOCUMENT.

DIMENSIONS: mm	TOLERANCES UNLESS OTHERWISE SPECIFIED:
	0 PLC ±- 1 PLC ±- 2 PLC ±- 3 PLC ±- 4 PLC ±- ANGLES ±-
MATERIAL	FINISH
-	-

DWN	RAVI.S	03NOV2023
CHK	J.GODARD	03NOV2023
APVD	C.GLOMMEAU	03NOV2023
PRODUCT SPEC	108-69096-001	
APPLICATION SPEC	-	
WEIGHT	5.3 kg	
CUSTOMER DRAWING		

		NAME	
		ADJUSTABLE CONNECTOR RACCORD ADJUSTABLE 5 CTA 82 F M365 E200 M405	
SIZE	CAGE CODE	DRAWING NO	RESTRICTED TO
A3	00779	C=2476881	-
SCALE		SHEET	REV
3:10		1 OF 1	A