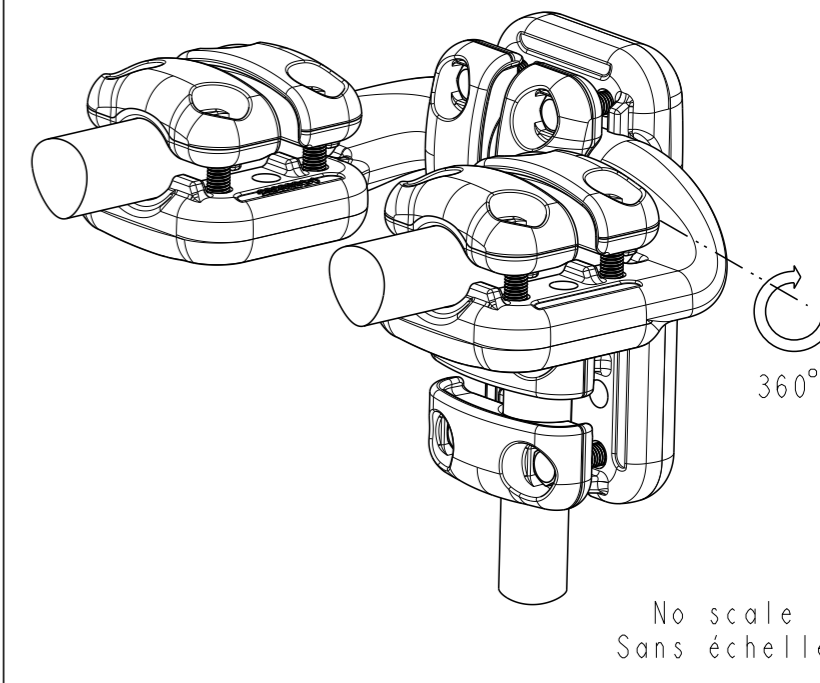
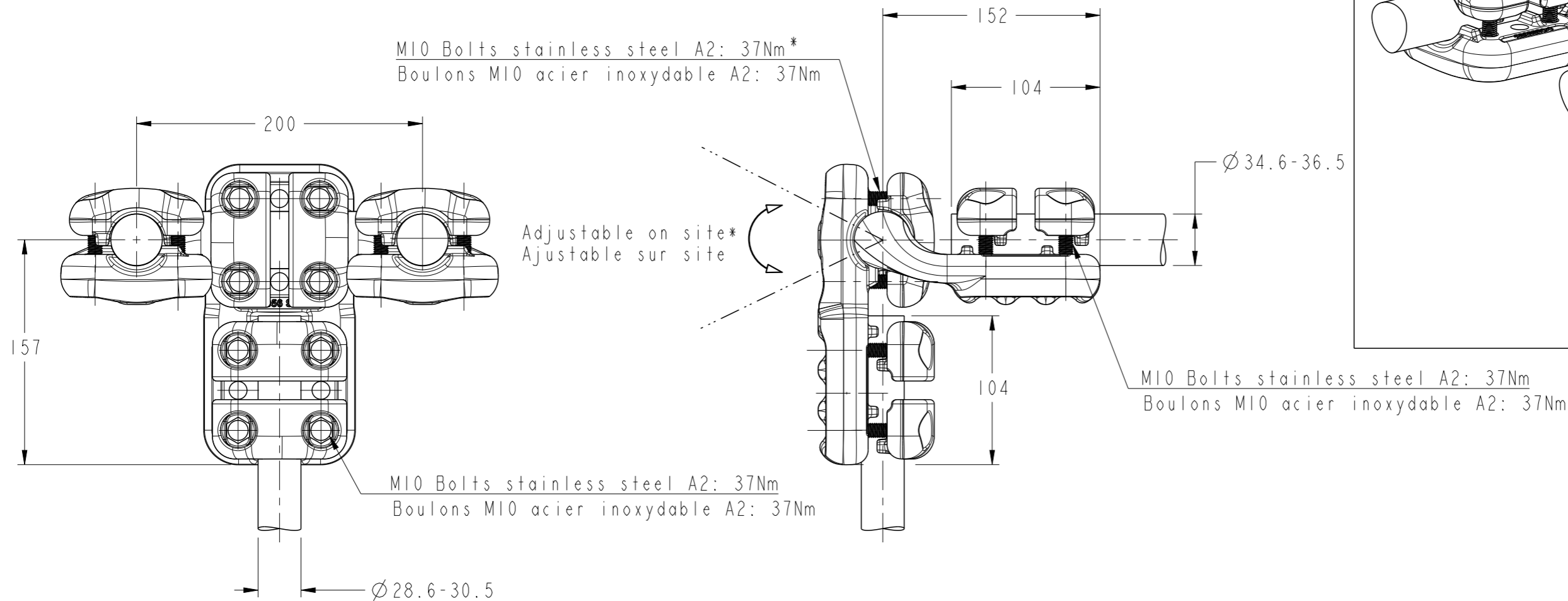


REVISIONS

P	LTR	DESCRIPTION	DATE	DWN	APVD
	A	CREATION	01DEC2022	SM	CG



\*  
In case of loosening contact surfaces must be cleaned and greased  
Refer to installation instruction  
En cas de desserrage, les surfaces de contact doivent être nettoyées et graissées  
Se référer à la notice d'installation

THIS DRAWING IS A CONTROLLED DOCUMENT.		DWN SATYA.M 01DEC2022	<b>TE</b> TE Connectivity	
DIMENSIONS: mm		CHK M.PREVOT 01DEC2022		
TOLERANCES UNLESS OTHERWISE SPECIFIED:		APVD C.GLOMMEAU 01DEC2022	NAME ADJUSTABLE CONNECTOR	
0 PLC ±-		PRODUCT SPEC 108-69096-001	RACCORD ADJUSTABLE	
1 PLC ±-		APPLICATION SPEC -	SIZE A3	CAGE CODE 00779
2 PLC ±-		WEIGHT 5.3 kg	DRAWING NO C=2443358	RESTRICTED TO -
3 PLC ±-		CUSTOMER DRAWING	SCALE 3:10	SHEET 1 OF 1
4 PLC ±-				REV A
ANGLES ±-				
FINISH -				