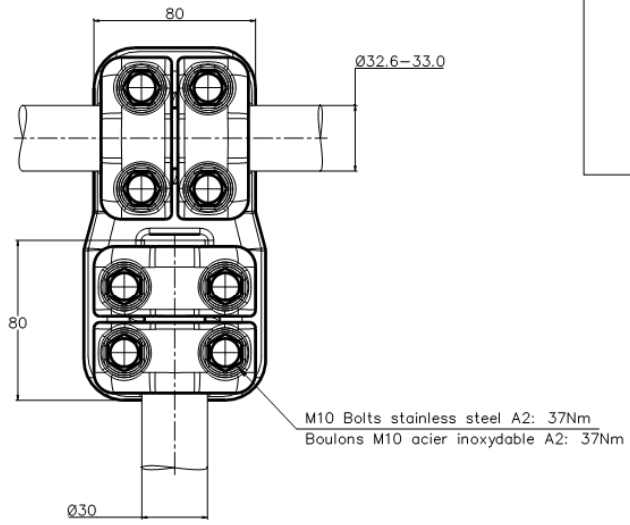
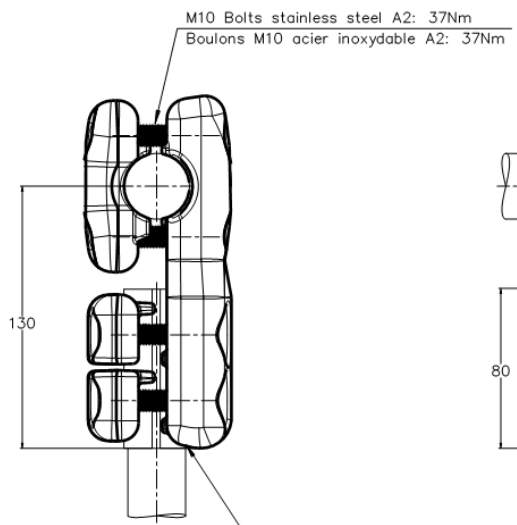
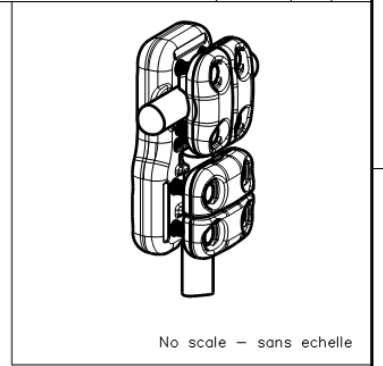


4 3 2 1

THIS DRAWING IS UNPUBLISHED. RELEASED FOR PUBLICATION
 © COPYRIGHT - By - ALL RIGHTS RESERVED.

REVISIONS					
P	LTR	DESCRIPTION	DATE	DWI	APVD
A		CREATION	23-JAN-20	GL	-



Bimetallic sleeve Alu /Copper 32x30DIA
 Fourrure bi-métallique alu/Cuivre Ø32x30

Derivative current: 1000A maxi
 Courant dérivé: 1000A maxi

ITEM:.....

THIS DRAWING IS A CONTROLLED DOCUMENT.		DWI: LAFORGE	23-JAN20	STE TE Connectivity	
DIMENSIONS: mm		CHK: -	APVD: -		
TOLERANCES UNLESS OTHERWISE SPECIFIED:		PRODUCT SPEC: 108-69096-001		5 CT 82 S330 SK305	
<ul style="list-style-type: none"> Ø PLC ± - 1 PLC ± - 2 PLC ± - 3 PLC ± - 4 PLC ± - ANGLES ± - 		APPLICATION SPEC: -		SIZE: A3	CAGE CODE: 00779
MATERIAL: -		APPROX. WEIGHT: 1.5 kg		DRAWING NO: C=2368303	RESTRICTED TO: -
FINISH: -		CUSTOMER DRAWING		SCALE: 1/2	SHEET: 1 of 1