

4

3

2

1

THIS DRAWING IS UNPUBLISHED.

RELEASED FOR PUBLICATION

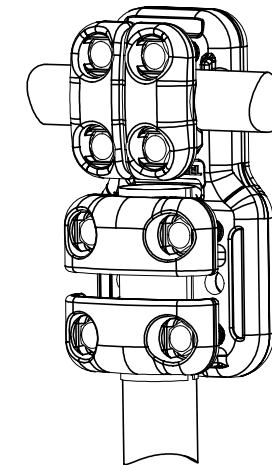
-, -

ALL RIGHTS RESERVED.

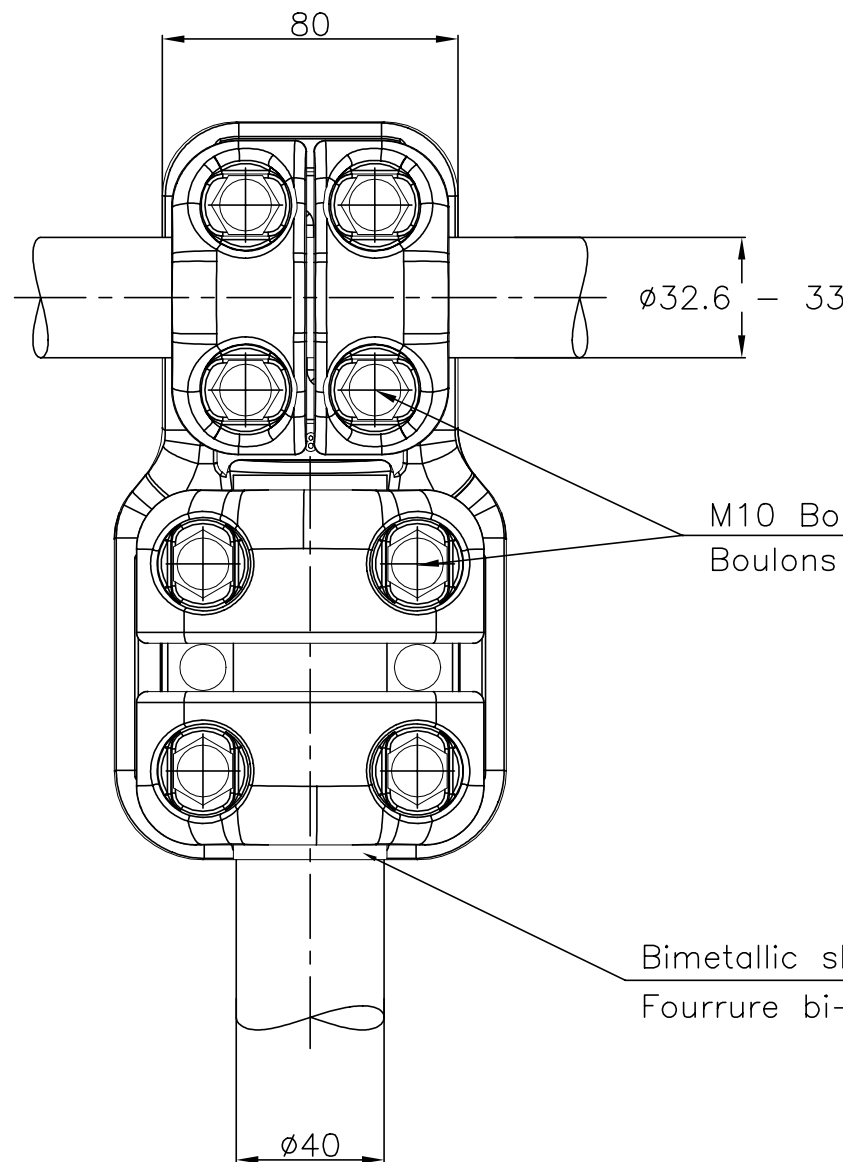
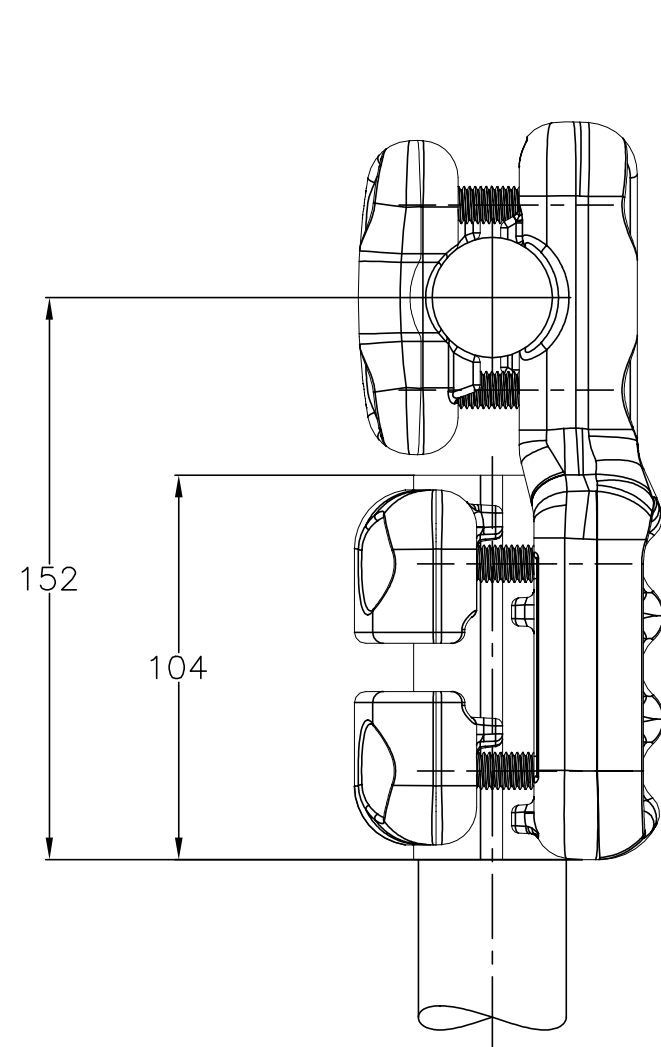
© COPYRIGHT - By -

REVISIONS

P	LTR	DESCRIPTION	DATE	DWN	APVD
A		CREATION	09-JUL-20	BH	-



No scale
Sans echelle



M10 Bolts stainless steel A2: 37Nm
Boulons M10 acier inoxydable A2: 37Nm

Bimetallic sleeve alu/Copper 42x40Dia
Fourrure bi-métallique alu/cuivre ø42x40

Derivative current: 1000A maxi
Courant dérivé: 1000A maxi

THIS DRAWING IS A CONTROLLED DOCUMENT.		DWN	HUARD	09-Jul-20	TE TE Connectivity	
DIMENSIONS: mm		CHK	-	-		
TOLERANCES UNLESS OTHERWISE SPECIFIED:		APVD	-	-	NAME TEE CONNECTOR RACCORD EN TE 5 CT 82 S330 MK405	
0 PLC ± -		PRODUCT SPEC	108-69096-001		SIZE	
1 PLC ± -		APPLICATION SPEC	-		CAGE CODE	DRAWING NO
2 PLC ± -		APPROX.WEIGHT		1.9 kg	A300779	C=2376812
3 PLC ± -		CUSTOMER DRAWING		SCALE		1:2
4 PLC ± -		MATERIAL		SHEET		1 of 1
ANGLES ± -		FINISH		REV		A
-		-		RESTRICTED TO		-

ITEM:.....