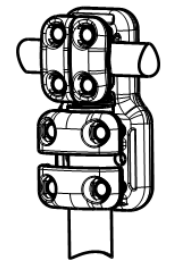


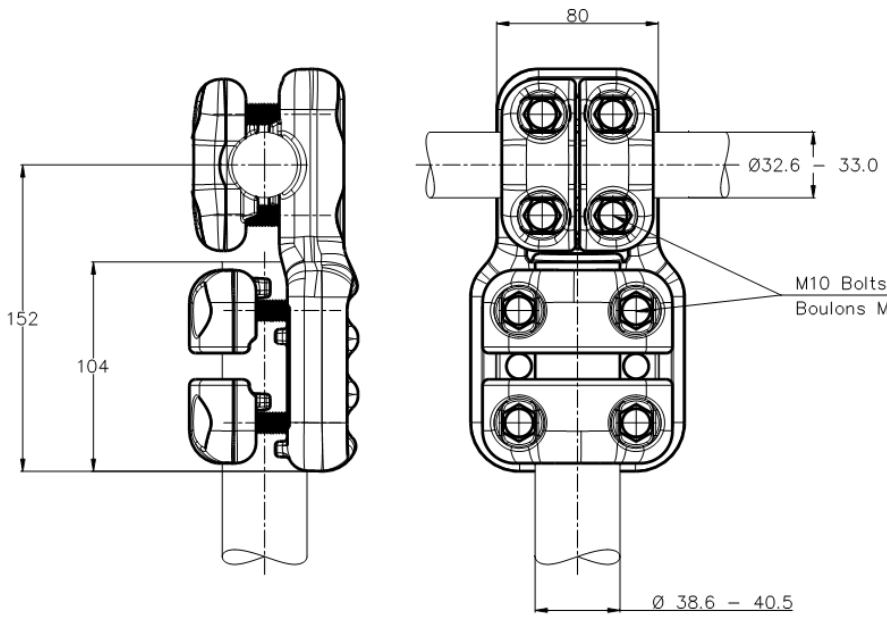
THIS DRAWING IS UNPUBLISHED. RELEASED FOR PUBLICATION
 © COPYRIGHT - By - ALL RIGHTS RESERVED.

REVISIONS

P	LTR	DESCRIPTION	DATE	DWI	APVD
A		CREATION	30-JAN-20	GL	-



No scale
 Sans echelle



M10 Bolts stainless steel A2: 37Nm
 Boulons M10 acier inoxydable A2: 37Nm

Derivative current: 1000A maxi
 Courant dérivé: 1000A maxi

ITEM:.....

THIS DRAWING IS A CONTROLLED DOCUMENT.		DWI: LAFORGE 30-JAN-20	TE Connectivity	
DIMENSIONS: mm		CHK: -		
TOLERANCES UNLESS OTHERWISE SPECIFIED:		APVD: -	RACCORD EN TE	
0 PLC ± -		PRODUCT SPEC: 108-69096-001	5 CT 82 S330 M405	
1 PLC ± -		APPLICATION SPEC: -	SIZE: A3	CAGE CODE: 00779
2 PLC ± -		APPROX. WEIGHT: 1.9 kg	DRAWING NO: C=2368707	
3 PLC ± -		CUSTOMER DRAWING	SCALE: 1:2	SHEET: 1 of 1
4 PLC ± -			RESTRICTED TO: -	REV: A
ANGLES ± -	FINISH: -			