

4

3

2

1

THIS DRAWING IS UNPUBLISHED.

RELEASED FOR PUBLICATION

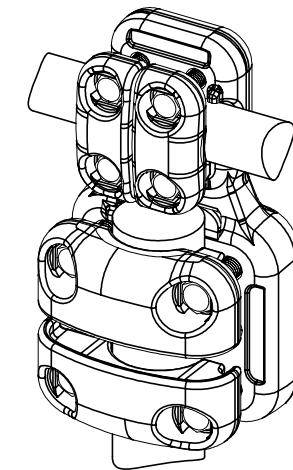
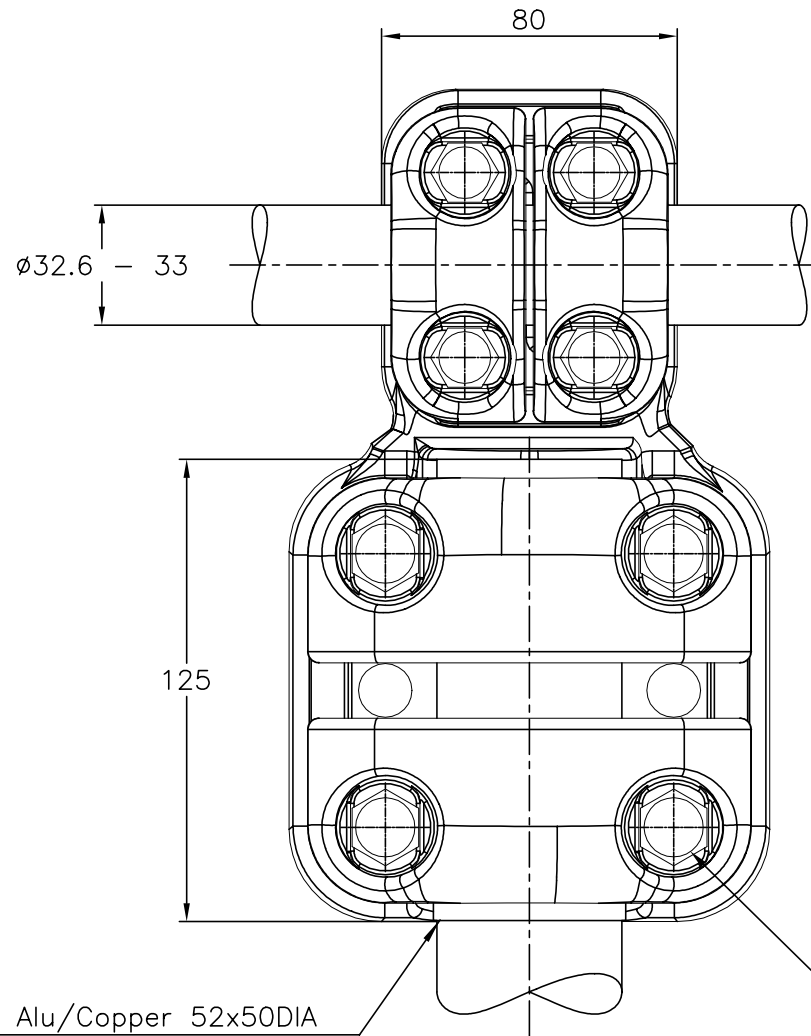
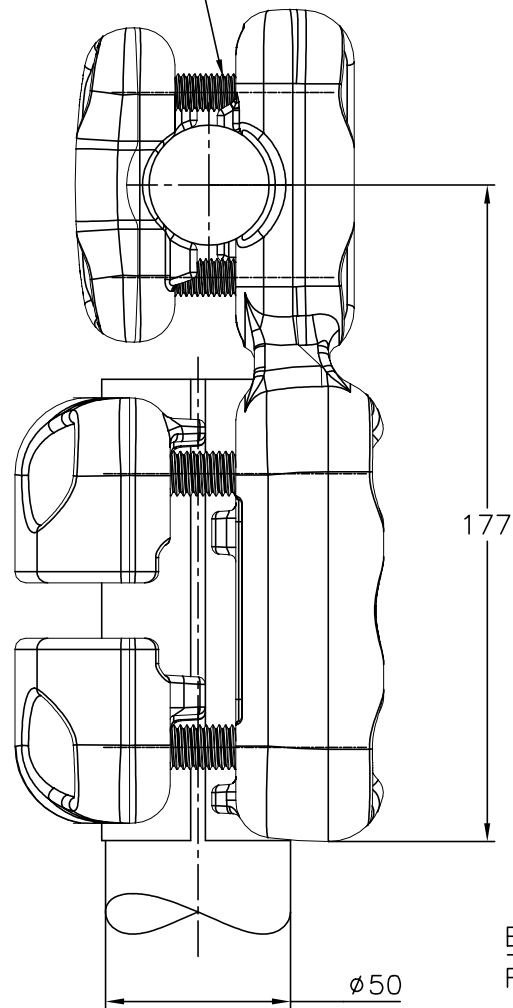
ALL RIGHTS RESERVED.

© COPYRIGHT - By -

REVISIONS

P	LTR	DESCRIPTION	DATE	DWN	APVD
A		CREATION	09-JUL-20	BH	-

M10 Bolts stainless steel A2: 37Nm  
 Boulons M10 acier inoxydable A2: 37Nm



No scale  
 Sans échelle

Bimetallic sleeve Alu/Copper 52x50DIA  
 Fourrure bi-métallique alu/Cuivre 52x50

M12 Bolts stainless steel A2: 60Nm  
 Boulons M12 acier inoxydable A2: 60Nm

Derivative current: 1000A maxi  
 Courant dérivé:

THIS DRAWING IS A CONTROLLED DOCUMENT.		DWN HUARD	09-Jul-20	<b>TE</b> TE Connectivity	
DIMENSIONS: mm		CHK -	APVD -		
TOLERANCES UNLESS OTHERWISE SPECIFIED:		PRODUCT SPEC		NAME TEE CONNECTOR	
0 PLC ± -		108-69096-001		RACCORD EN TE	
1 PLC ± -		APPLICATION SPEC		5 CT 82 S330 LK505	
2 PLC ± -		-		SIZE	CAGE CODE
3 PLC ± -		APPROX.WEIGHT 2.7 kg		A3	00779
4 PLC ± -		CUSTOMER DRAWING		DRAWING NO C=2376796	
ANGLES ± -		SCALE 1:2		SHEET 1 of 1	
FINISH -		RESTRICTED TO -		REV A	

ITEM:.....