

4

3

2

1

THIS DRAWING IS UNPUBLISHED.

RELEASED FOR PUBLICATION

-,-

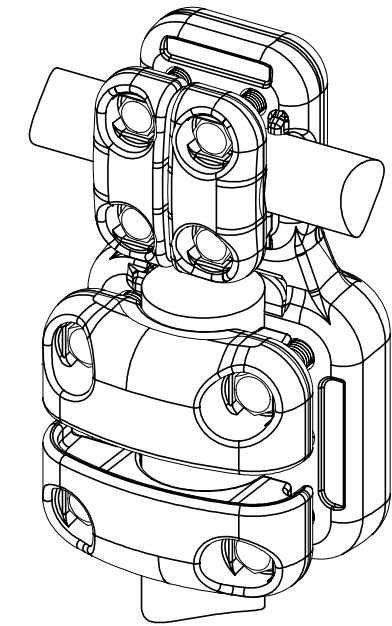
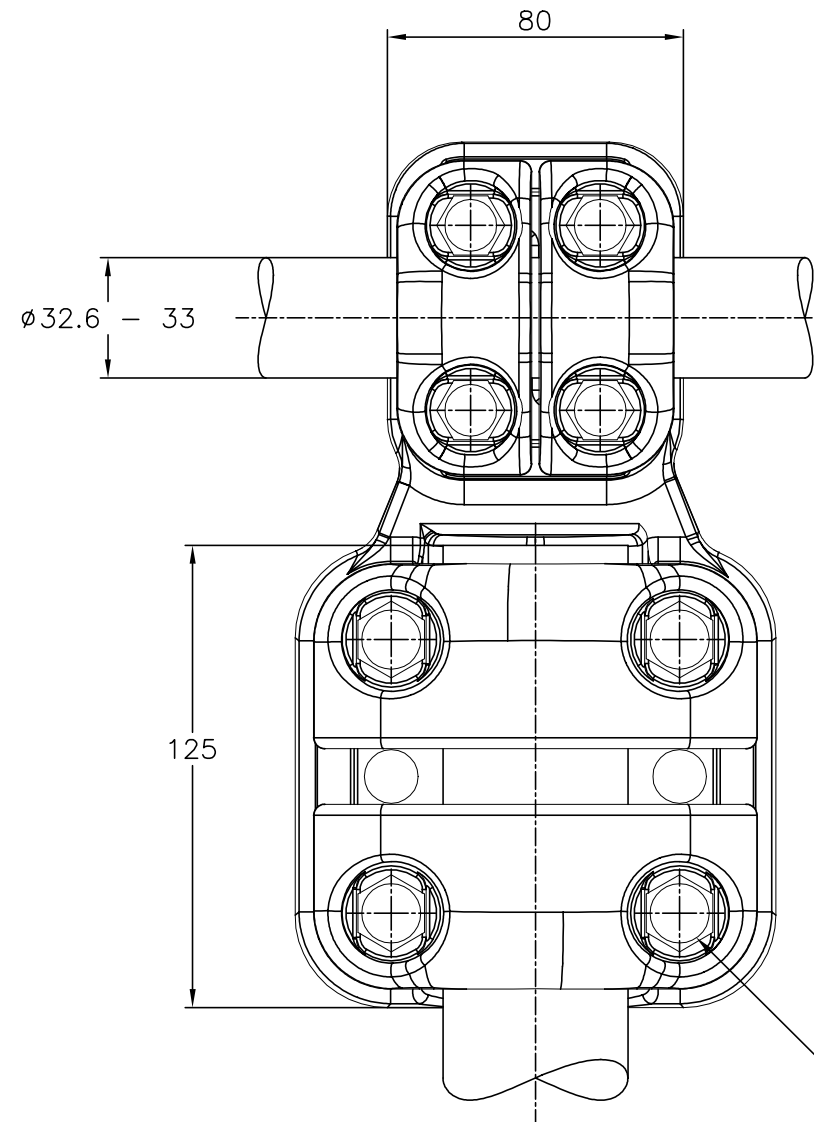
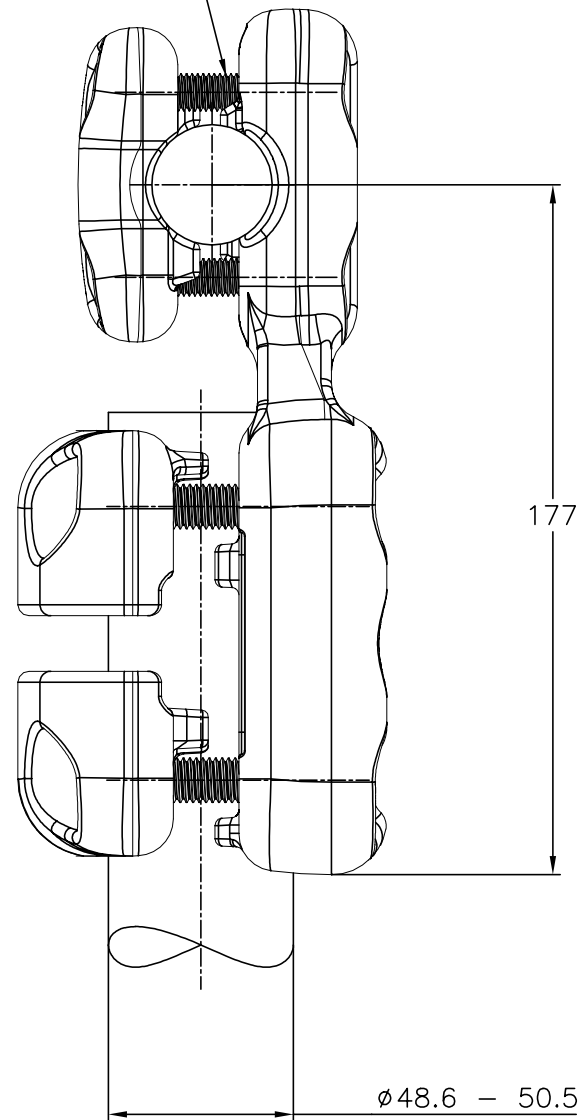
REVISIONS

© COPYRIGHT - By -

ALL RIGHTS RESERVED.

P	LTR	DESCRIPTION	DATE	DWN	APVD
A		CREATION	09-JUL-20	BH	-

M10 Bolts stainless steel A2: 37Nm
 Boulons M10 acier inoxydable A2: 37Nm



No scale
 Sans échelle

M12 Bolts stainless steel A2: 60Nm
 Boulons M12 acier inoxydable A2: 60Nm

Derivative current: 1000A maxi
 Courant dérivé: 1000A maxi

THIS DRAWING IS A CONTROLLED DOCUMENT.		DWN HUARD 09-Jul-20	TE TE Connectivity	
DIMENSIONS: mm		CHK -		
TOLERANCES UNLESS OTHERWISE SPECIFIED:		APVD -	NAME TEE CONNECTOR	
0 PLC ± -		PRODUCT SPEC	RACCORD EN TE	
1 PLC ± -		108-69096-001	5 CT 82 S330 L505	
2 PLC ± -		APPLICATION SPEC	SIZE	RESTRICTED TO
3 PLC ± -		-	A3	-
4 PLC ± -		APPROX.WEIGHT 2.7 kg	CAGE CODE 00779	DRAWING NO C=2376799
ANGLES ± -		CUSTOMER DRAWING	SCALE 1:2	SHEET 1 of 1
FINISH -			REV A	

ITEM:.....