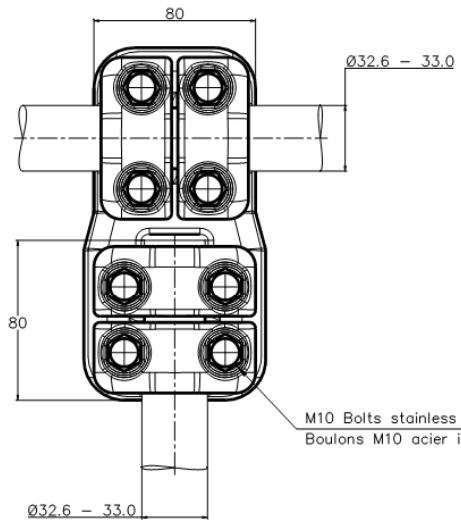
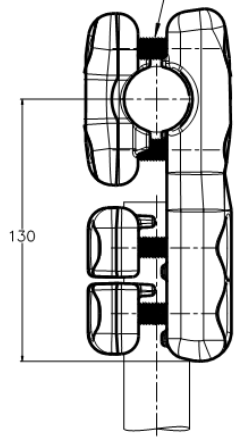


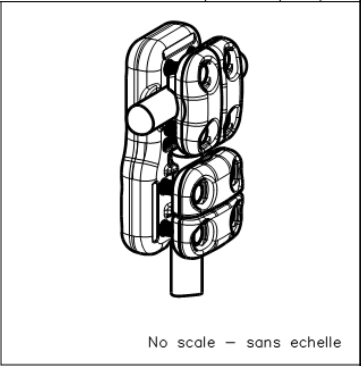
THIS DRAWING IS UNPUBLISHED. RELEASED FOR PUBLICATION  
 © COPYRIGHT - By - ALL RIGHTS RESERVED.

REVISIONS					
P	LTR	DESCRIPTION	DATE	DWI	APVD
A		CREATION	23-JAN-20	GL	-

M10 Bolts stainless steel A2: 37Nm  
 Boulons M10 acier inoxydable A2: 37Nm



M10 Bolts stainless steel A2: 37Nm  
 Boulons M10 acier inoxydable A2: 37Nm



No scale - sans echelle

Derivative current: 1000A maxi  
 Courant dérivé: 1000A maxi

ITEM:.....

THIS DRAWING IS A CONTROLLED DOCUMENT.		DWI: LAFORGE	23-JAN-20	<b>STE</b> TE Connectivity	
DIMENSIONS: mm		CHK: -	APVD: -		
TOLERANCES UNLESS OTHERWISE SPECIFIED:		PRODUCT SPEC: 108-69096-001		RESTRICTED TO: -	
<ul style="list-style-type: none"> <li>Ø PLC ± -</li> <li>1 PLC ± -</li> <li>2 PLC ± -</li> <li>3 PLC ± -</li> <li>4 PLC ± -</li> <li>ANGLES ± -</li> </ul>		APPLICATION SPEC: -		SIZE: A3	CAGE CODE: 00779
MATERIAL: -		APPROX. WEIGHT: 1.5 kg		DRAWING NO: C=2368406	
FINISH: -		CUSTOMER DRAWING		SCALE: 1/2	SHEET: 1 of 1