

4

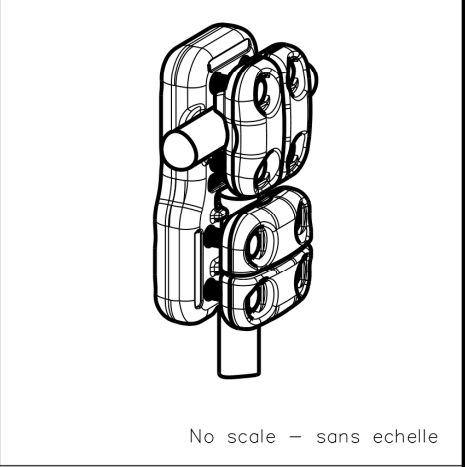
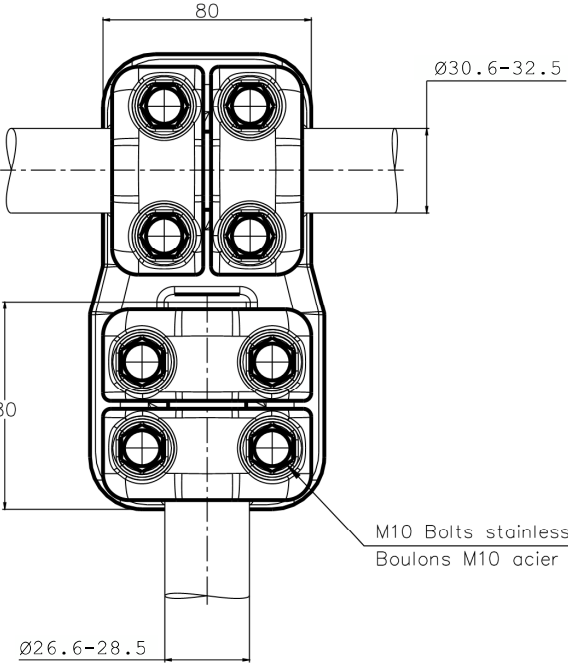
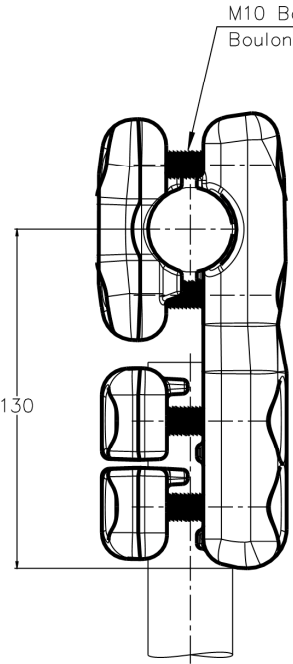
3

2

1

THIS DRAWING IS UNPUBLISHED. RELEASED FOR PUBLICATION  
 © COPYRIGHT - By - ALL RIGHTS RESERVED.

REVISIONS				
P	LTR	DESCRIPTION	DATE	APVD
A		CREATION	30-APR-18	MT



ITEM: 1

THIS DRAWING IS A CONTROLLED DOCUMENT.		DWN TALPIN 30-APR-18		
DIMENSIONS: mm		CHK -		
TOLERANCES UNLESS OTHERWISE SPECIFIED:		APVD -	NAME TEE CONNECTOR RACCORD EN TE	
<ul style="list-style-type: none"> <li>Ø PLC ± -</li> <li>1 PLC ± -</li> <li>2 PLC ± -</li> <li>3 PLC ± -</li> <li>4 PLC ± -</li> <li>ANGLES ± -</li> </ul>		PRODUCT SPEC 108-69096-001	SIZE A300779	
MATERIAL		APPLICATION SPEC -	DRAWING NO	RESTRICTED TO
FINISH		APPROX. WEIGHT 1.5 kg	CAGE CODE G-	SCALE 1/2
		CUSTOMER DRAWING	SHEET 1 OF 1	REV A