

4

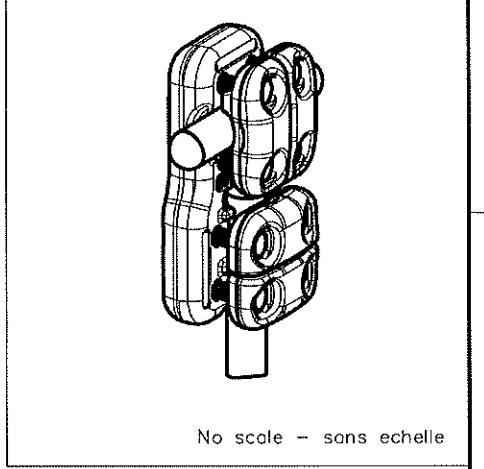
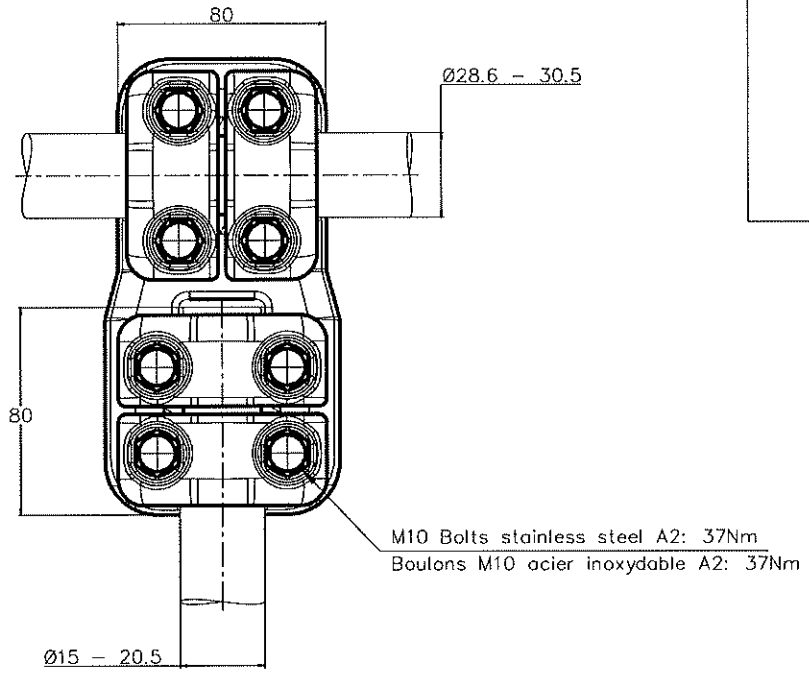
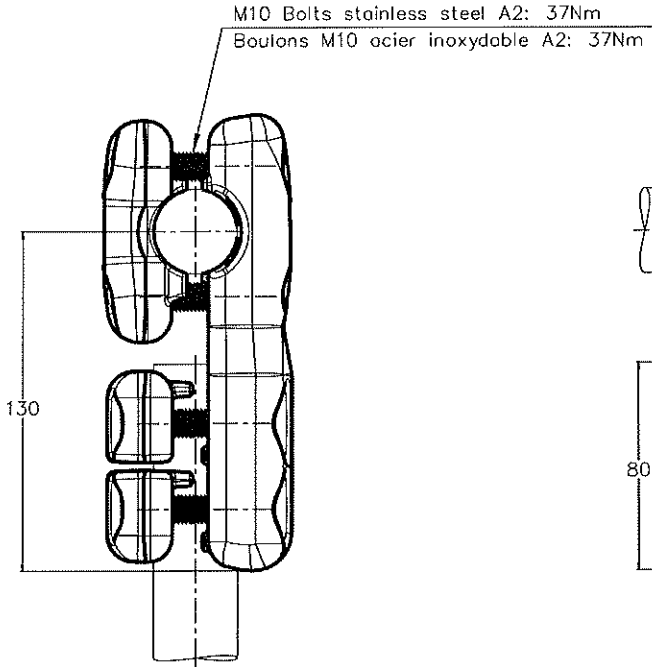
3

2

1

THIS DRAWING IS UNPUBLISHED. RELEASED FOR PUBLICATION
 © COPYRIGHT - By - ALL RIGHTS RESERVED.

REVISIONS				
P	LTR	DESCRIPTION	DATE	APVD
A		CREATION	30-APR-18	MT



THIS DRAWING IS A CONTROLLED DOCUMENT.		DMT	30-APR-18		TE TE Connectivity											
		CHK	-													
DIMENSIONS:		APVD	-		NAME TEE CONNECTOR RACCORD EN TE 5 CT 82 S305 S205											
mm		PRODUCT SPEC	108-69096-001													
TOLERANCES UNLESS OTHERWISE SPECIFIED:		APPLICATION SPEC	-		RESTRICTED TO											
<table border="1"> <tr><td>0 PLC</td><td>± -</td></tr> <tr><td>1 PLC</td><td>± -</td></tr> <tr><td>2 PLC</td><td>± -</td></tr> <tr><td>3 PLC</td><td>± -</td></tr> <tr><td>4 PLC</td><td>± -</td></tr> <tr><td>ANGLES</td><td>± -</td></tr> </table>		0 PLC	± -	1 PLC		± -	2 PLC	± -	3 PLC	± -	4 PLC	± -	ANGLES	± -	SIZE	CAGE CODE
0 PLC	± -															
1 PLC	± -															
2 PLC	± -															
3 PLC	± -															
4 PLC	± -															
ANGLES	± -															
MATERIAL		APPROX. WEIGHT	1.5 kg	A300779	G=2332329											
FINISH		CUSTOMER DRAWING		SCALE	1/2											
				SHEET	1 of 1											
				REV	A											

ITEM: 2