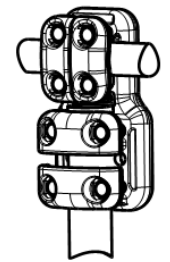
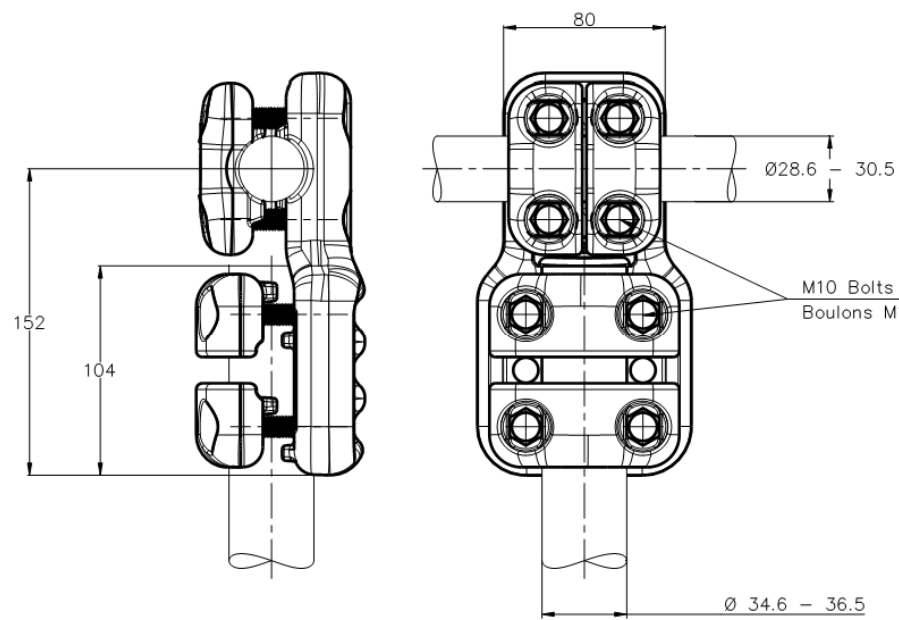


THIS DRAWING IS UNPUBLISHED. RELEASED FOR PUBLICATION
 © COPYRIGHT - By - ALL RIGHTS RESERVED.

REVISIONS					
P	LTR	DESCRIPTION	DATE	DWI	APVD
A		CREATION	30-APR-18	MT	-



No scale
 Sans echelle



THIS DRAWING IS A CONTROLLED DOCUMENT.		DWI TALPIN	30-APR-18	STE TE Connectivity	
DIMENSIONS: mm		CHK -	APVD -	NAME TEE CONNECTOR RACCORD EN TE 5 CT 82 S305 M365	
TOLERANCES UNLESS OTHERWISE SPECIFIED:		PRODUCT SPEC 108-69096-001		RESTRICTED TO -	
<ul style="list-style-type: none"> Ø PLC ± - 1 PLC ± - 2 PLC ± - 3 PLC ± - 4 PLC ± - ANGLES ± - 		APPLICATION SPEC -		SIZE A3	CAGE CODE 00779
MATERIAL -		FINISH -		APPROX. WEIGHT 1.9 kg	DRAWING NO C=2332334
CUSTOMER DRAWING			SCALE 1:2	SHEET 1 of 1	REV A

ITEM:.....