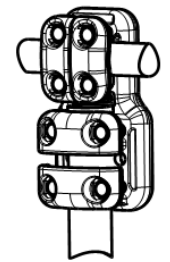
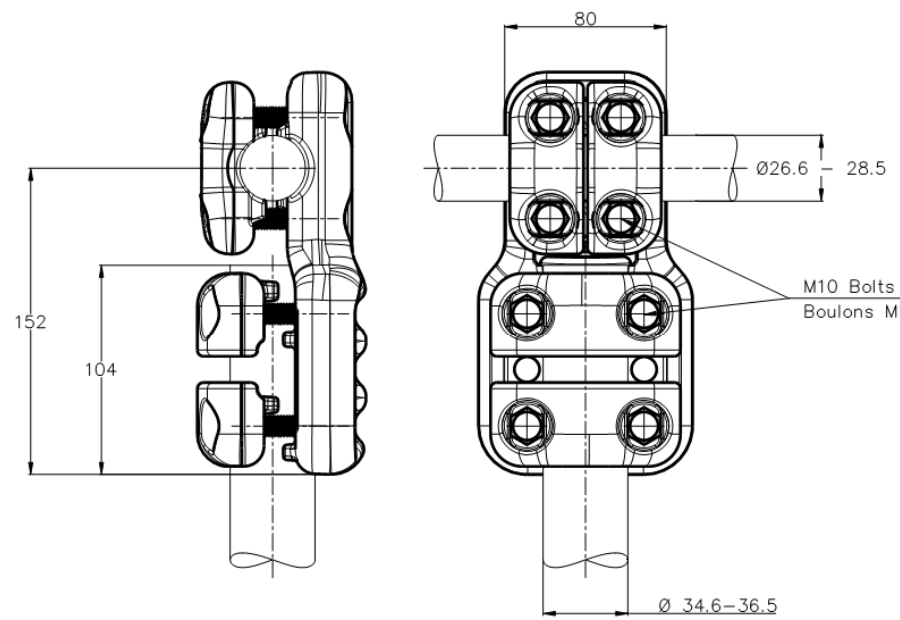


THIS DRAWING IS UNPUBLISHED. RELEASED FOR PUBLICATION
 © COPYRIGHT - By - ALL RIGHTS RESERVED.

REVISIONS					
P	LTR	DESCRIPTION	DATE	DWI	APVD
A		CREATION	01-DEC-20	GL	-



No scale
Sans echelle



THIS DRAWING IS A CONTROLLED DOCUMENT.		DWI	01-DEC-20		STE TE Connectivity
		CHK	-		
DIMENSIONS: mm		APVD	-		NAME
TOLERANCES UNLESS OTHERWISE SPECIFIED:		PRODUCT SPEC		TEE CONNECTOR	
0 PLC ± -		108-69096-001		RACCORD EN TE	
1 PLC ± -		APPLICATION SPEC		5 CT 82 S285 M365	
2 PLC ± -		-		SIZE	CAGE CODE
3 PLC ± -		APPROX. WEIGHT 1.9 kg		A3	00779
4 PLC ± -		CUSTOMER DRAWING		C=	2383499
ANGLES ± -		SCALE 1:2		SHEET	1 of 1
MATERIAL -	FINISH -	RESTRICTED TO		-	
		REV		A	

ITEM:.....