

THIS DRAWING IS UNPUBLISHED.

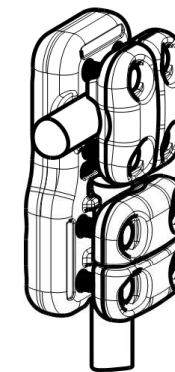
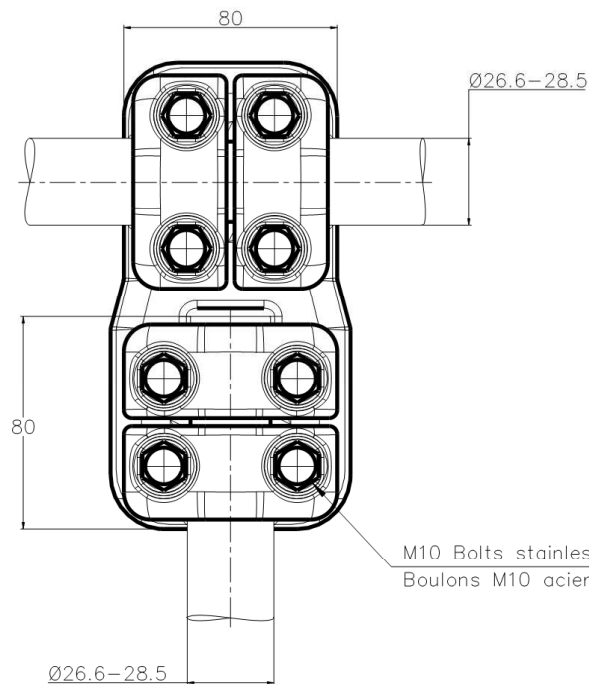
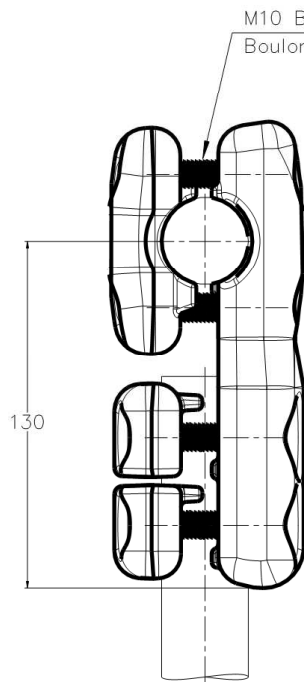
RELEASED FOR PUBLICATION

© COPYRIGHT - By -

ALL RIGHTS RESERVED.

REVISIONS

P	LTR	DESCRIPTION	DATE	DWN	APVD
A		CREATION	31-OCT-18	GL	-



No scale - sans echelle

ITEM: 2

THIS DRAWING IS A CONTROLLED DOCUMENT.		DWN	LAFORGE	31-OCT-18	STE TE Connectivity									
DIMENSIONS: mm		CHK	-	NAME				TEE CONNECTOR RACCORD EN TE 5 CT 82 S285						
TOLERANCES UNLESS OTHERWISE SPECIFIED:		APVD	-	PRODUCT SPEC		108-69096-001	RESTRICTED TO							
<ul style="list-style-type: none"> 0 PLC ± - 1 PLC ± - 2 PLC ± - 3 PLC ± - 4 PLC ± - ANGLES ± - 		APPLICATION SPEC		SIZE	CAGE CODE	DRAWING NO								
MATERIAL		FINISH		APPROX. WEIGHT	1.5 kg	A3	00779	C=2345850	SCALE	1/2	SHEET	1 OF 1	REV	A
CUSTOMER DRAWING														