

4

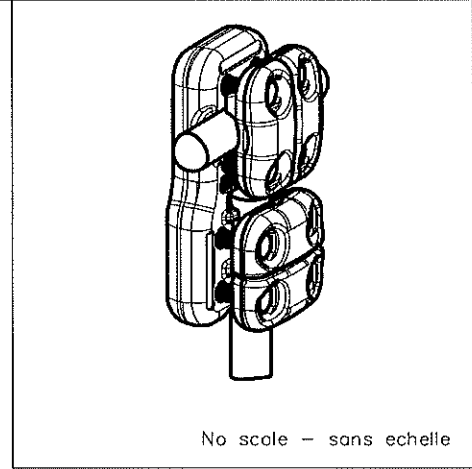
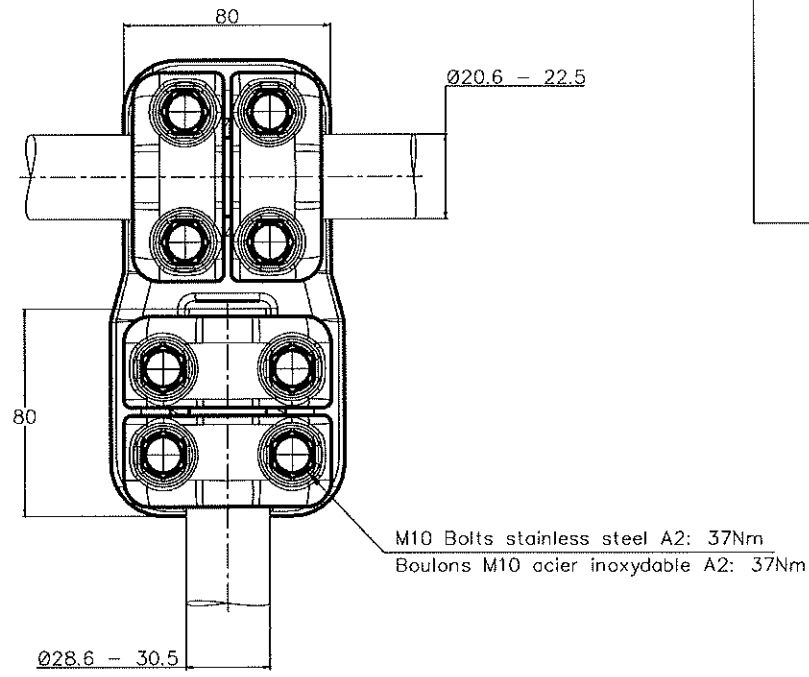
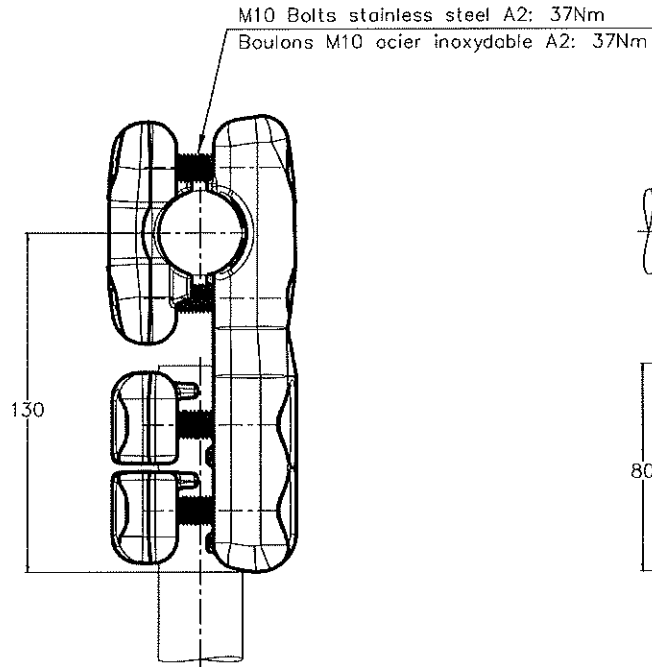
3

2

1

THIS DRAWING IS UNPUBLISHED. RELEASED FOR PUBLICATION
 © COPYRIGHT - By - ALL RIGHTS RESERVED.

REVISIONS				
P	LTR	DESCRIPTION	DATE	DRN APVD
B		UPDATED DRAWING	14-FEB-18	GL -



ITEM: 6

THIS DRAWING IS A CONTROLLED DOCUMENT.		DWN HUARD	20-Nov-17	STE TE Connectivity													
DIMENSIONS: mm		CHK -	APVD -														
TOLERANCES UNLESS OTHERWISE SPECIFIED:		PRODUCT SPEC 108-69096-001		NAME Tee connector Connecteur en T													
<table border="1"> <tr><td>0 PLC</td><td>± -</td></tr> <tr><td>1 PLC</td><td>± -</td></tr> <tr><td>2 PLC</td><td>± -</td></tr> <tr><td>3 PLC</td><td>± -</td></tr> <tr><td>4 PLC</td><td>± -</td></tr> <tr><td>ANGLES</td><td>± -</td></tr> </table>		0 PLC	± -	1 PLC	± -	2 PLC	± -	3 PLC	± -	4 PLC	± -	ANGLES	± -	APPLICATION SPEC -		5 CT 82 S225 S305	
0 PLC	± -																
1 PLC	± -																
2 PLC	± -																
3 PLC	± -																
4 PLC	± -																
ANGLES	± -																
MATERIAL -		FINISH -		SIZE A300779	CAGE CODE C=2327937												
APPROX. WEIGHT 1.5 kg				DRAWING NO -	RESTRICTED TO -												
CUSTOMER DRAWING				SCALE 1/2	SHEET 1 OF 1												
				REV B													