

4

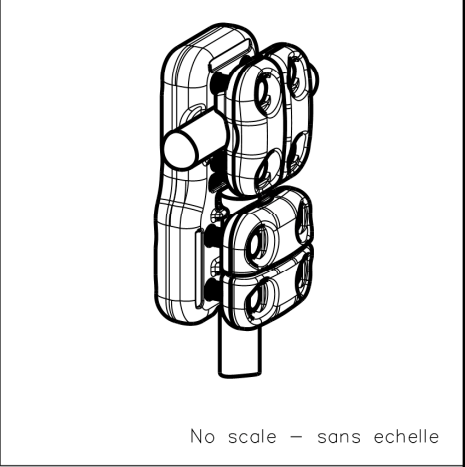
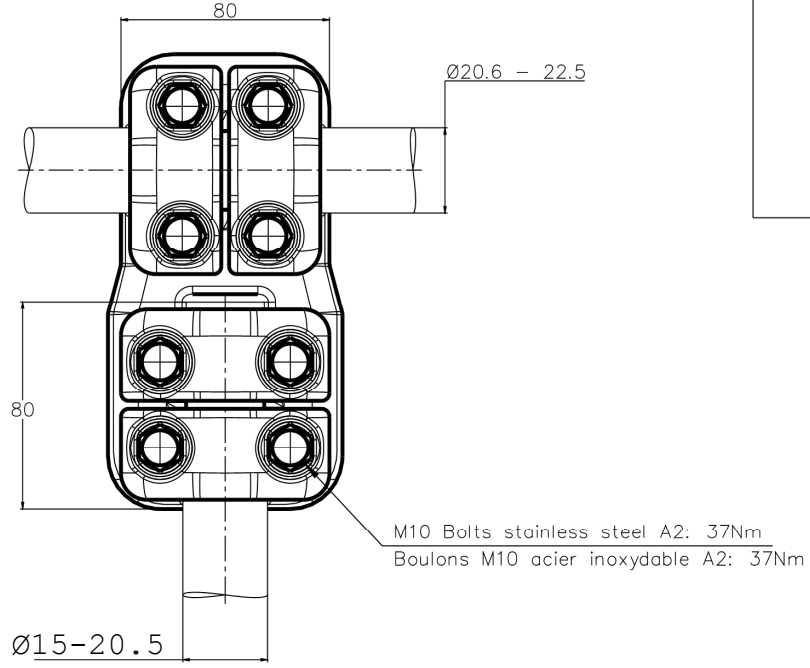
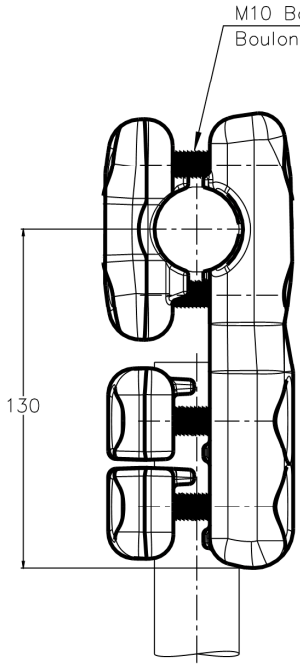
3

2

1

THIS DRAWING IS UNPUBLISHED. RELEASED FOR PUBLICATION  
 © COPYRIGHT - By - ALL RIGHTS RESERVED.

REVISIONS				
P	LTR	DESCRIPTION	DATE	APVD
A		CREATION	20-NOV-17	BH



THIS DRAWING IS A CONTROLLED DOCUMENT.		DWN 20-Nov-17 HUARD	<b>TE</b> TE Connectivity	
DIMENSIONS: mm		CHK -		
TOLERANCES UNLESS OTHERWISE SPECIFIED:		APVD -	NAME	
0 PLC ± -		PRODUCT SPEC	Tee connector	
1 PLC ± -		108-69096-001	Connecteur en T	
2 PLC ± -		APPLICATION SPEC	5 CT 82 S225 S205	
3 PLC ± -			SIZE	RESTRICTED TO
4 PLC ± -			A300779	C-2327935
ANGLES ± -		APPROX. WEIGHT 1.5 kg	SCALE 1/2 SHEET 1 OF 1 REV A	
MATERIAL -		CUSTOMER DRAWING		

ITEM:.....