

4

3

2

1

THIS DRAWING IS UNPUBLISHED.

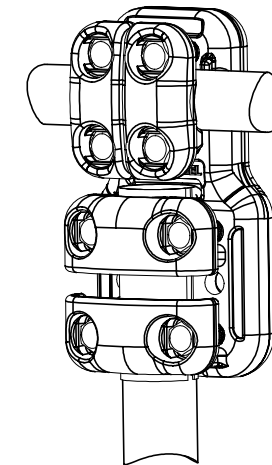
RELEASED FOR PUBLICATION

ALL RIGHTS RESERVED.

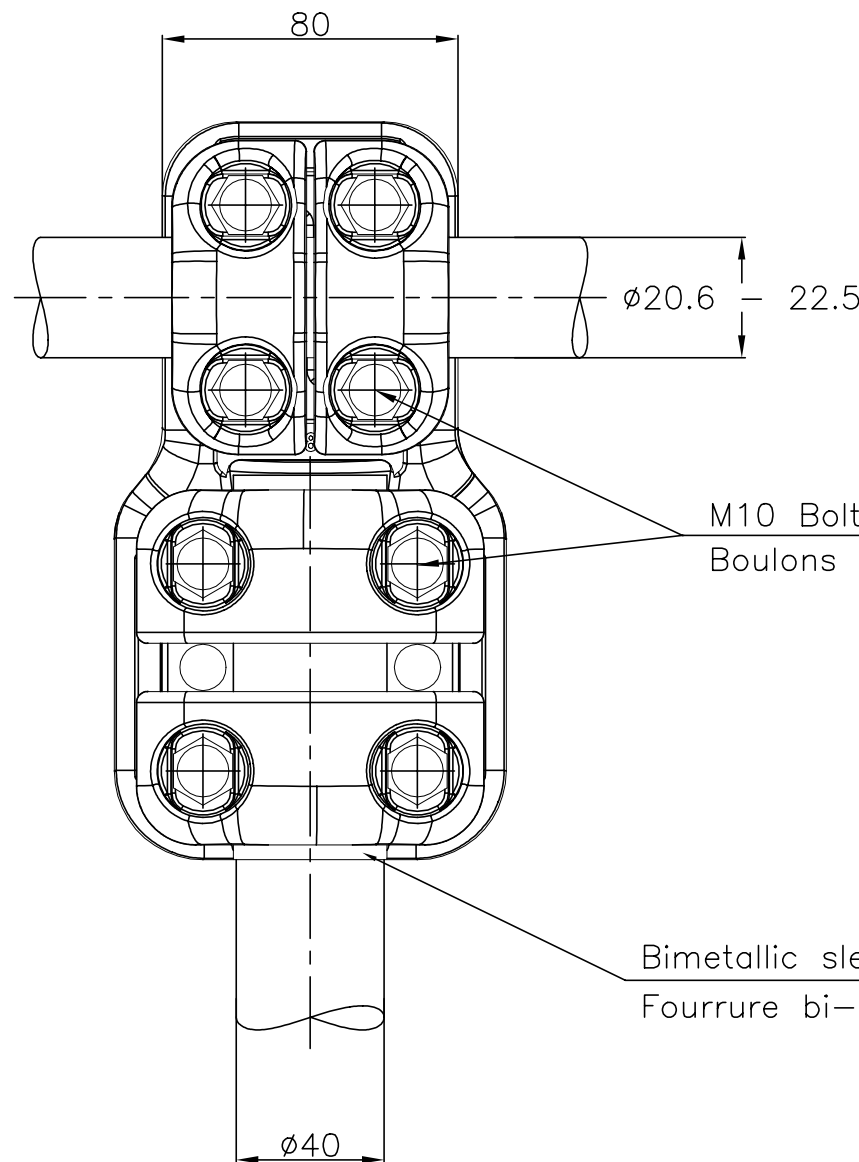
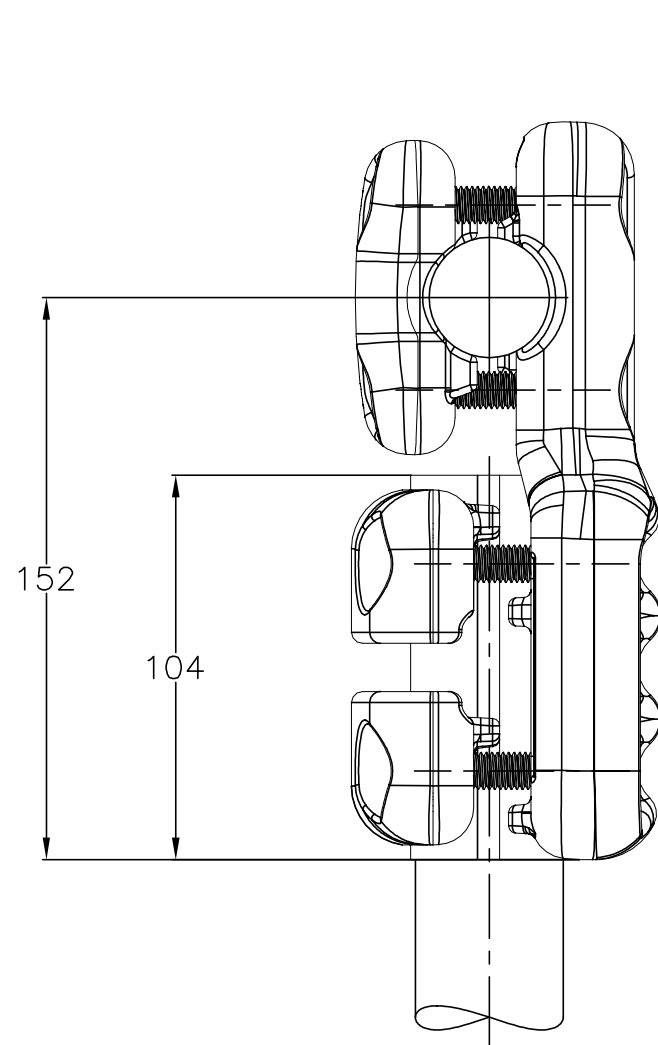
© COPYRIGHT - By -

REVISIONS

| P | LTR | DESCRIPTION | DATE | DWN | APVD |
|---|-----|-------------|-----------|-----|------|
| A | | CREATION | 09-JUL-20 | BH | - |



No scale
Sans echelle



M10 Bolts stainless steel A2: 37Nm
Boulons M10 acier inoxydable A2: 37Nm

Bimetallic sleeve alu/Copper 42x40Dia
Fourrure bi-métallique alu/cuivre ø42x40

| | | | | | | |
|--|--|----------------------|-------|--------------------|---------------------------|---------------|
| THIS DRAWING IS A CONTROLLED DOCUMENT. | | DWN | HUARD | 09-JUL-20 | TE TE Connectivity | |
| DIMENSIONS: mm | | CHK | - | - | | |
| TOLERANCES UNLESS OTHERWISE SPECIFIED: | | APVD | - | - | NAME | |
| 0 PLC ± - | | PRODUCT SPEC | | TEE CONNECTOR | | |
| 1 PLC ± - | | 108-69096-001 | | RACCORD EN TE | | |
| 2 PLC ± - | | APPLICATION SPEC | | 5 CT 82 S225 MK405 | | |
| 3 PLC ± - | | - | | SIZE | CAGE CODE | DRAWING NO |
| 4 PLC ± - | | APPROX.WEIGHT 1.9 kg | | A300779 | C=2376783 | RESTRICTED TO |
| ANGLES ± - | | CUSTOMER DRAWING | | SCALE 1:2 | | SHEET 1 of 1 |
| MATERIAL - | | FINISH - | | REV A | | |

ITEM:.....