

4

3

2

1

THIS DRAWING IS UNPUBLISHED.

RELEASED FOR PUBLICATION

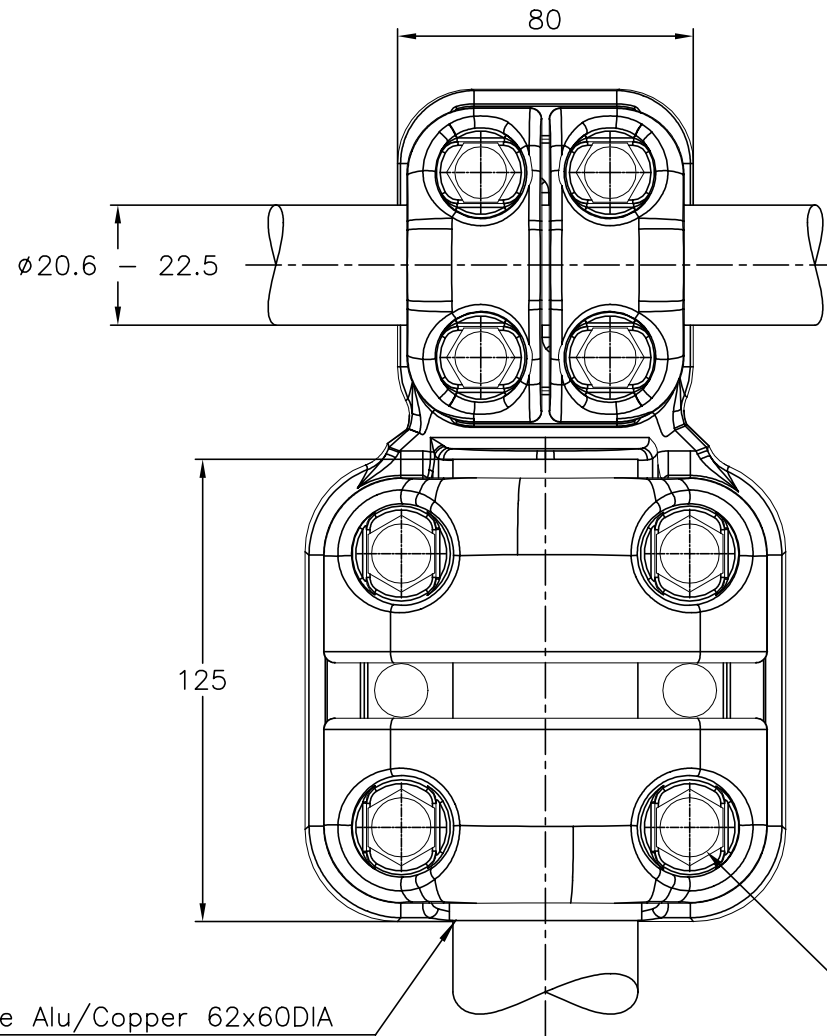
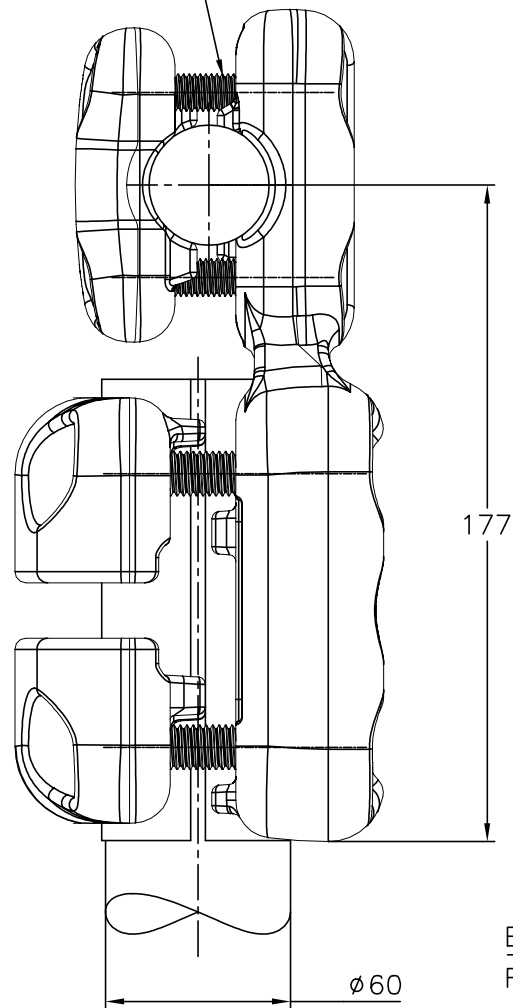
ALL RIGHTS RESERVED.

© COPYRIGHT - By -

REVISIONS

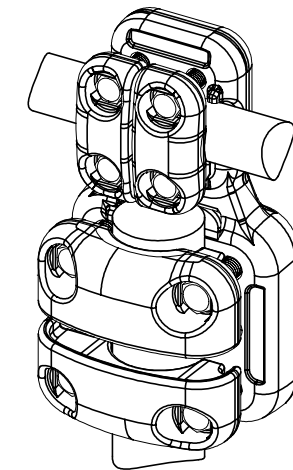
P	LTR	DESCRIPTION	DATE	DWN	APVD
A		CREATION	09-JUL-20	BH	-

M10 Bolts stainless steel A2: 37Nm
 Boulons M10 acier inoxydable A2: 37Nm



Bimetallic sleeve Alu/Copper 62x60DIA
 Fourrure bi-métallique alu/Cuivre ø62x60

M12 Bolts stainless steel A2: 60Nm
 Boulons M12 acier inoxydable A2: 60Nm



No scale
 Sans échelle

THIS DRAWING IS A CONTROLLED DOCUMENT.		DWN HUARD	09-Jul-20	TE TE Connectivity	
DIMENSIONS: mm		CHK -	APVD -		
TOLERANCES UNLESS OTHERWISE SPECIFIED:		PRODUCT SPEC		NAME TEE CONNECTOR	
0 PLC ± -		108-69096-001		RACCORD EN TE	
1 PLC ± -		APPLICATION SPEC		5 CT 82 S225 LK605	
2 PLC ± -		APPROX.WEIGHT 2.7 kg		SIZE A3	RESTRICTED TO -
3 PLC ± -		CUSTOMER DRAWING		CAGE CODE 00779	DRAWING NO C=2376677
4 PLC ± -		SCALE 1:2		SHEET 1 of 1	REV A
ANGLES ± -					
FINISH -					

ITEM:.....