

4

3

2

1

THIS DRAWING IS UNPUBLISHED.

RELEASED FOR PUBLICATION

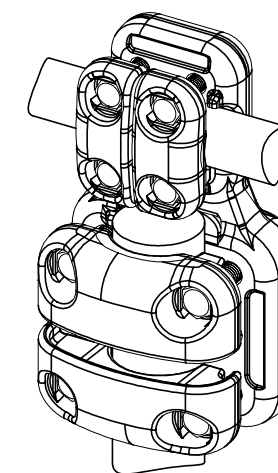
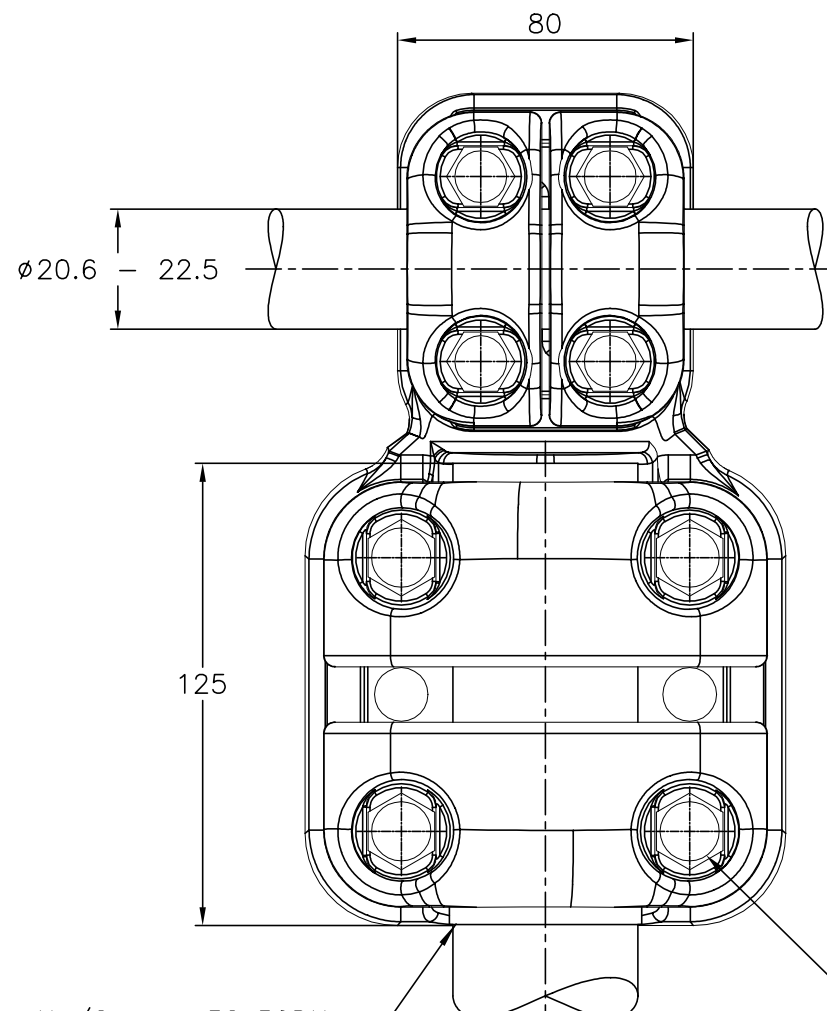
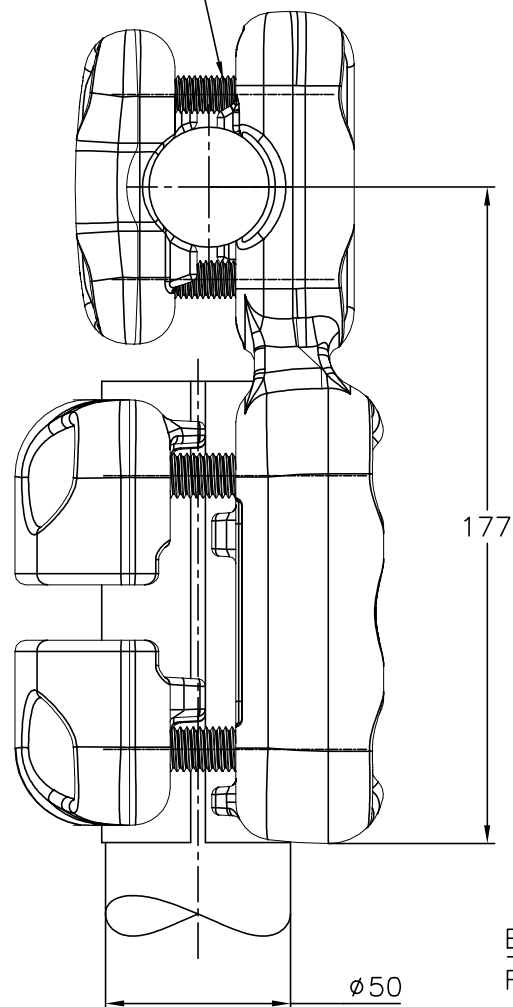
ALL RIGHTS RESERVED.

© COPYRIGHT - By -

REVISIONS

| P | LTR | DESCRIPTION | DATE | DWN | APVD |
|---|-----|-------------|-----------|-----|------|
| A | | CREATION | 09-JUL-20 | BH | - |

M10 Bolts stainless steel A2: 37Nm
 Boulons M10 acier inoxydable A2: 37Nm



No scale
 Sans échelle

Bimetallic sleeve Alu/Copper 52x50DIA
 Fourrure bi-métallique alu/Cuivre ø52x50

M12 Bolts stainless steel A2: 60Nm
 Boulons M12 acier inoxydable A2: 60Nm

| | | | | | |
|--|--|----------------------|-----------|---------------------------|-----------------|
| THIS DRAWING IS A CONTROLLED DOCUMENT. | | DWN HUARD | 09-Jul-20 | TE TE Connectivity | |
| DIMENSIONS: mm | | CHK - | APVD - | | |
| TOLERANCES UNLESS OTHERWISE SPECIFIED: | | PRODUCT SPEC | | NAME TEE CONNECTOR | |
| 0 PLC ± - | | 108-69096-001 | | RACCORD EN TE | |
| 1 PLC ± - | | APPLICATION SPEC | | 5 CT 82 S225 LK505 | |
| 2 PLC ± - | | APPROX.WEIGHT 2.7 kg | | SIZE A3 | CAGE CODE 00779 |
| 3 PLC ± - | | CUSTOMER DRAWING | | DRAWING NO C=237667 | RESTRICTED TO - |
| 4 PLC ± - | | SCALE 1:2 | | SHEET 1 of 1 | REV A |
| ANGLES ± - | | | | | |
| FINISH - | | | | | |

ITEM:.....