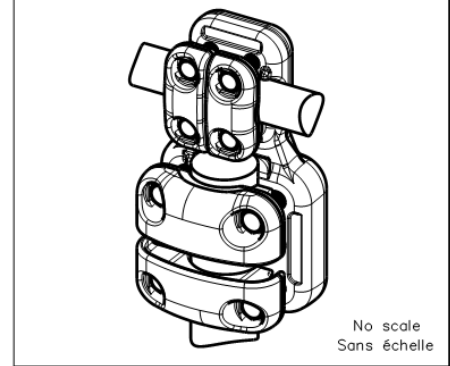
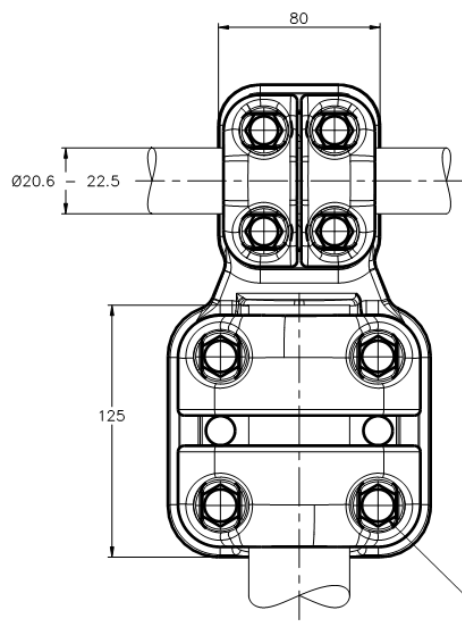
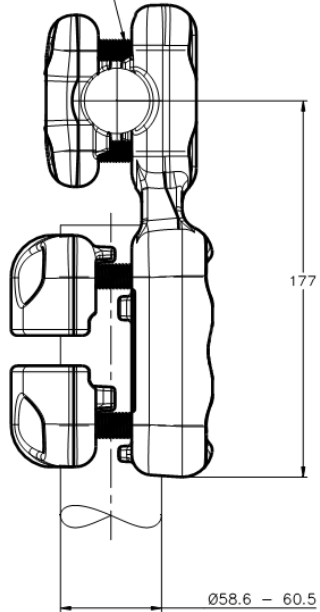


THIS DRAWING IS UNPUBLISHED. RELEASED FOR PUBLICATION
 © COPYRIGHT - By - ALL RIGHTS RESERVED.

REVISIONS					
P	LTR	DESCRIPTION	DATE	DWI	APVD
A		CREATION	30-APR-18	MT	-

M10 Bolts stainless steel A2: 37Nm
 Boulons M10 acier inoxydable A2: 37Nm



M12 Bolts stainless steel A2: 60Nm
 Boulons M12 acier inoxydable A2: 60Nm

ITEM:.....

THIS DRAWING IS A CONTROLLED DOCUMENT.		DWI TALPIN	30-APR-18	TE TE Connectivity	
DIMENSIONS: mm		CHK -	APVD -		
TOLERANCES UNLESS OTHERWISE SPECIFIED:		PRODUCT SPEC 108-69096-001		5 CT 82 S225 L605	
<ul style="list-style-type: none"> Ø PLC ± - 1 PLC ± - 2 PLC ± - 3 PLC ± - 4 PLC ± - ANGLES ± - 		APPLICATION SPEC -		SIZE A3	CAGE CODE 00779
MATERIAL -		APPROX. WEIGHT 2.7 kg		DRAWING NO C=2334771	RESTRICTED TO -
FINISH -		CUSTOMER DRAWING		SCALE 1:1	SHEET 1 of 1