

THIS DRAWING IS UNPUBLISHED.

RELEASED FOR PUBLICATION

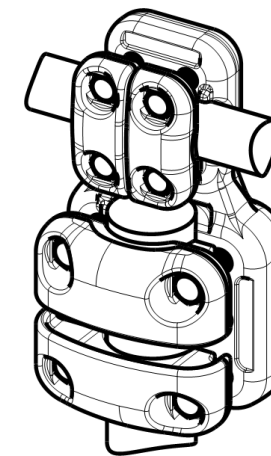
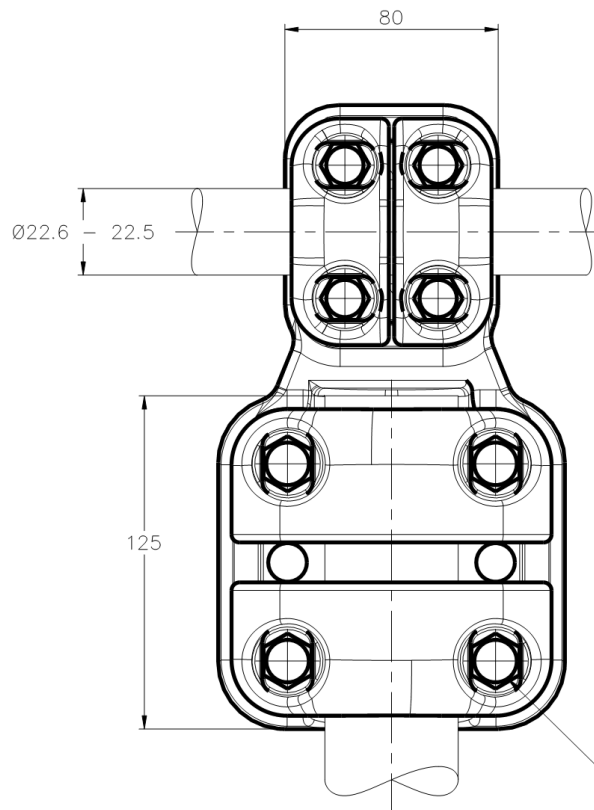
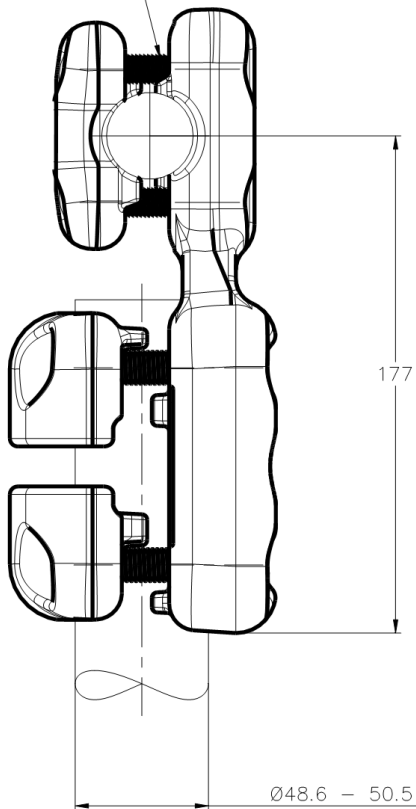
© COPYRIGHT -- By --

ALL RIGHTS RESERVED.

REVISIONS

P	LTR	DESCRIPTION	DATE	DWN	APVD
A		CREATION	22-JAN-19	GL	—

M10 Bolts stainless steel A2: 37Nm
 Boulons M10 acier inoxydable A2: 37Nm



No scale
 Sans échelle

M12 Bolts stainless steel A2: 60Nm
 Boulons M12 acier inoxydable A2: 60Nm

ITEM: 4

THIS DRAWING IS A CONTROLLED DOCUMENT.		DWN LAFORGE	22-JAN-19	TE TE Connectivity													
DIMENSIONS: mm		CHK —	APVD —			NAME TEE CONNECTOR RACCORD EN TE											
TOLERANCES UNLESS OTHERWISE SPECIFIED:		PRODUCT SPEC 108-69096-001		5 CT 82 S225 L505													
<table border="1"> <tr><td>0 PLC</td><td>± -</td></tr> <tr><td>1 PLC</td><td>± -</td></tr> <tr><td>2 PLC</td><td>± -</td></tr> <tr><td>3 PLC</td><td>± -</td></tr> <tr><td>4 PLC</td><td>± -</td></tr> <tr><td>ANGLES</td><td>± -</td></tr> </table>		0 PLC	± -	1 PLC	± -	2 PLC	± -	3 PLC	± -	4 PLC	± -	ANGLES	± -	APPLICATION SPEC —		SIZE A3	CAGE CODE 00779
0 PLC	± -																
1 PLC	± -																
2 PLC	± -																
3 PLC	± -																
4 PLC	± -																
ANGLES	± -																
MATERIAL —		APPROX. WEIGHT 2.7 kg		DRAWING NO C=2350571	RESTRICTED TO —												
FINISH —		CUSTOMER DRAWING		SCALE 1:2	SHEET 1 OF 1												
				REV A													