

4

3

2

1

THIS DRAWING IS UNPUBLISHED.

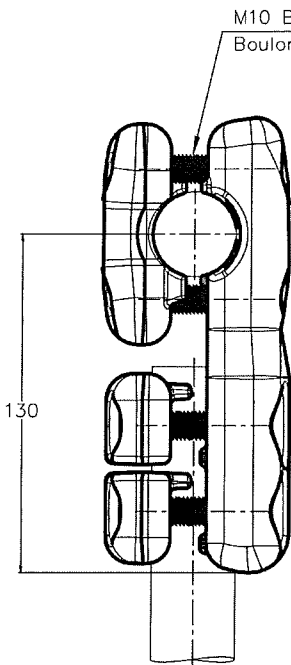
RELEASED FOR PUBLICATION

ALL RIGHTS RESERVED.

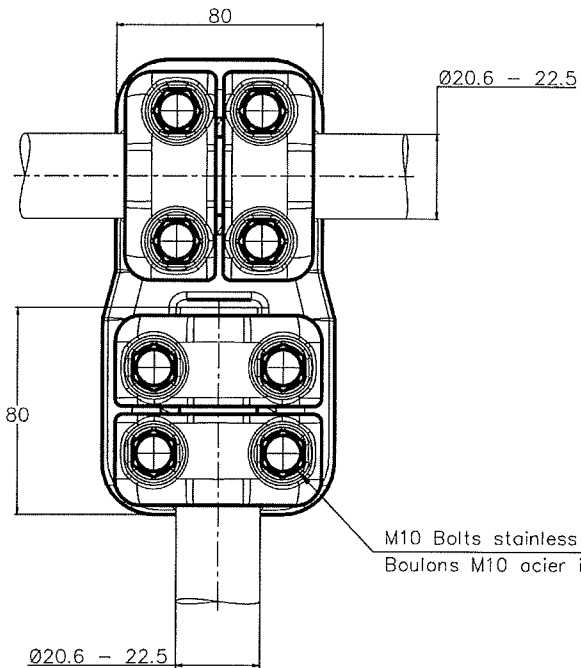
© COPYRIGHT -- By --

REVISIONS

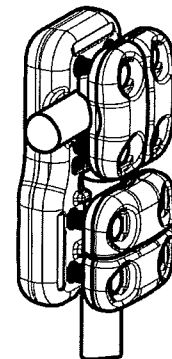
P	LTR	DESCRIPTION	DATE	DRAWN	APVD
A		CREATION	20-NOV-17	BH	--



M10 Bolts stainless steel A2: 37Nm
 Boulons M10 acier inoxydable A2: 37Nm



M10 Bolts stainless steel A2: 37Nm
 Boulons M10 acier inoxydable A2: 37Nm



No scale - sans echelle

ITEM:

9

THIS DRAWING IS A CONTROLLED DOCUMENT.		DRAWN HUARD	20-Nov-17	STE TE Connectivity												
DIMENSIONS: mm		CHK --	APVD --			NAME Tee connector Connecteur en T										
TOLERANCES UNLESS OTHERWISE SPECIFIED:		PRODUCT SPEC 108-69096-001		DRAWING NO 5 CT 82 S225												
<table border="1"> <tr><td>0 PLC</td><td>± .0</td></tr> <tr><td>1 PLC</td><td>± .0</td></tr> <tr><td>2 PLC</td><td>± .0</td></tr> <tr><td>3 PLC</td><td>± .0</td></tr> <tr><td>4 PLC</td><td>± .0</td></tr> <tr><td>ANGLES</td><td>± .0</td></tr> </table>		0 PLC	± .0	1 PLC	± .0	2 PLC	± .0	3 PLC	± .0	4 PLC	± .0	ANGLES	± .0	APPLICATION SPEC --		RESTRICTED TO --
0 PLC	± .0															
1 PLC	± .0															
2 PLC	± .0															
3 PLC	± .0															
4 PLC	± .0															
ANGLES	± .0															
MATERIAL --		APPROX. WEIGHT 1.5 kg		SIZE A3	CAGE CODE 00779											
FINISH --		CUSTOMER DRAWING		DRAWING NO C-2327935	SCALE 1/2											
				SHEET 1 of 1	REV A											