

4

3

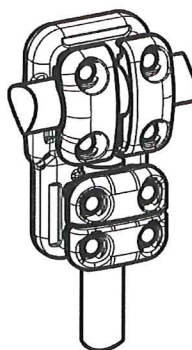
2

1

THIS DRAWING IS UNPUBLISHED. RELEASED FOR PUBLICATION
© COPYRIGHT - By - ALL RIGHTS RESERVED.

REVISIONS

P	LTR	DESCRIPTION	DATE	DWN	APVD
A		CREATION	05-DEC-17	GL	-

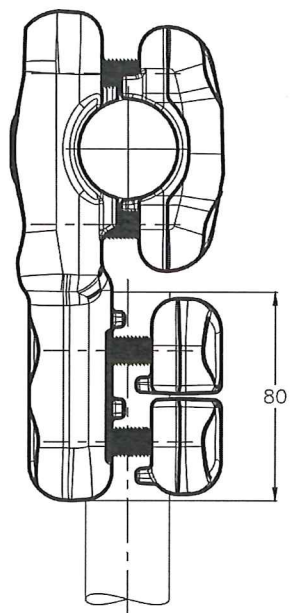
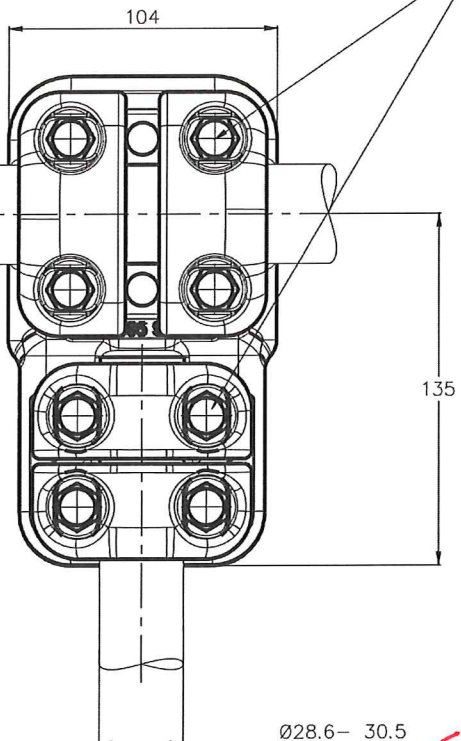


No scale
Sans échelle

M10 Bolts stainless steel A2: 37Nm
Boulons M10 acier inoxydable A2: 37Nm

φ 38,6-40,5

~~Ø30.6~~ 32.5



THIS DRAWING IS A CONTROLLED DOCUMENT.		DWN LAForge	05-DEC-17	TE Connectivity	
DIMENSIONS: mm		CHK -	APVD -		
TOLERANCES UNLESS OTHERWISE SPECIFIED:		PRODUCT SPEC 108-69096-001		5 CT 82 M325 S305	
0 PLC ± - 1 PLC ± - 2 PLC ± - 3 PLC ± - 4 PLC ± - ANGLES ± -		APPLICATION SPEC -		SIZE A3	RESTRICTED TO -
MATERIAL -		APPROX. WEIGHT 1.89 kg		CAGE CODE 00779	DRAWING NO C=2327329
FINISH -		CUSTOMER DRAWING		SCALE 1:2	SHEET 1 of 1
ITEM: <i>2</i>				REV A	