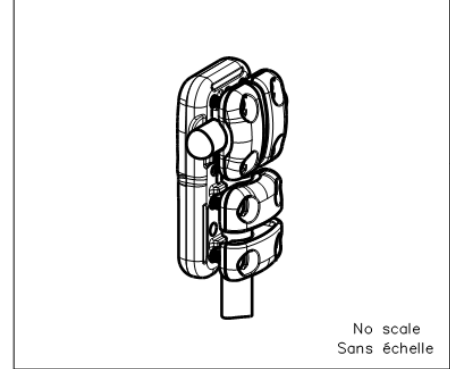
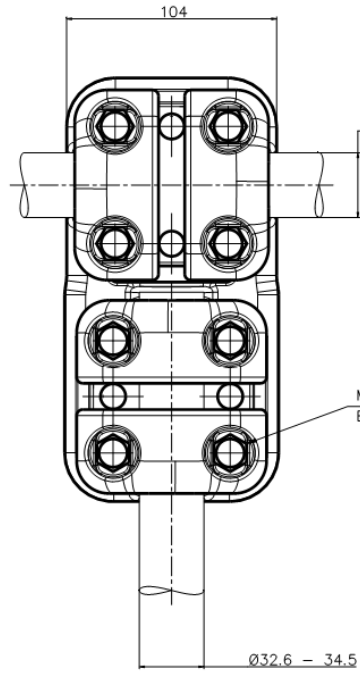
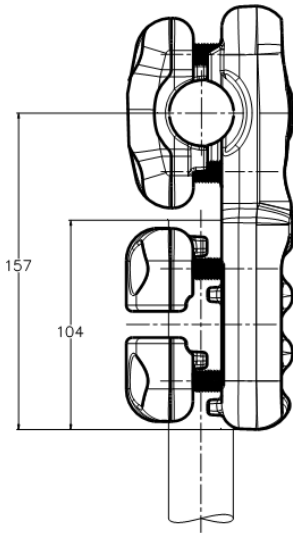


REVISIONS					
P	LTR	DESCRIPTION	DATE	DWN	APVD
A		CREATION	14-DEC-20	MP	-



M10 Bolts stainless steel A2: 37Nm  
Boulons M10 acier inoxydable A2: 37Nm

THIS DRAWING IS A CONTROLLED DOCUMENT.		DWN PREVOI	14-DEC-20	<b>STE</b> TE Connectivity	
DIMENSIONS: mm		CHK -	APVD -		
TOLERANCES UNLESS OTHERWISE SPECIFIED:		PRODUCT SPEC 108-69096-001		RESTRICTED TO	
<ul style="list-style-type: none"> <li>0 PLC ± -</li> <li>1 PLC ± -</li> <li>2 PLC ± -</li> <li>3 PLC ± -</li> <li>4 PLC ± -</li> <li>ANGLES ± -</li> </ul>		APPLICATION SPEC -		SIZE A3	CAGE CODE 00779
MATERIAL -		FINISH -		DRAWING NO C=2384242	SCALE 1:2
WEIGHT 2.1 kg				SHEET 1 of 1	REV A
CUSTOMER DRAWING					