

4

3

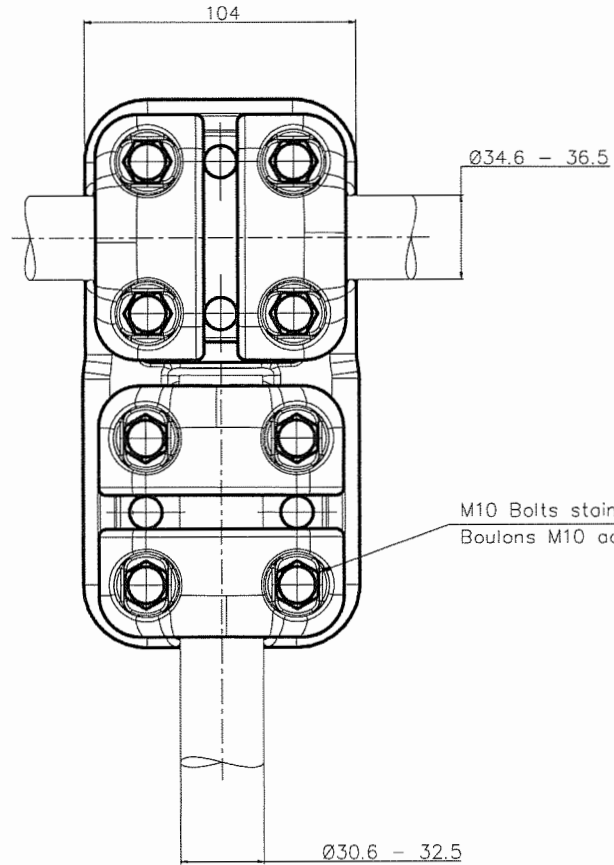
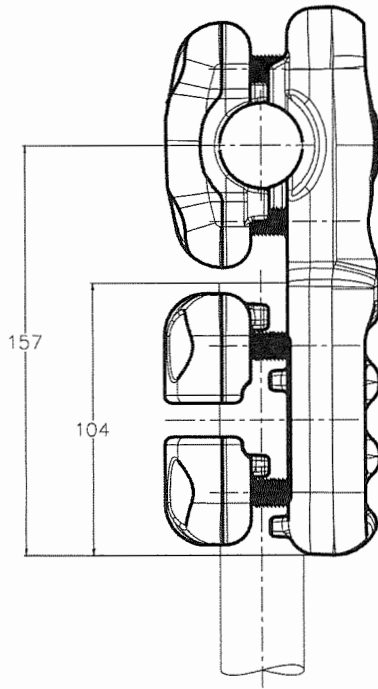
2

1

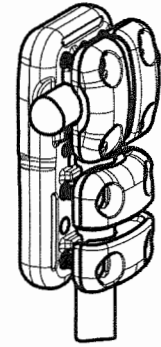
© - TE Connectivity. All Rights Reserved.

REVISIONS

P	LTR	DESCRIPTION	DATE	DWN	APVD
A		CREATION	5-MAR-20	GL	-



M10 Bolts stainless steel A2: 37Nm  
 Boulons M10 acier inoxydable A2: 37Nm



No scale  
 Sans échelle

THIS DRAWING IS A CONTROLLED DOCUMENT.		DWN LAFORGE	5-MAR-20	<b>TE</b> TE Connectivity	
DIMENSIONS: mm		CHK -	APVD -		
TOLERANCES UNLESS OTHERWISE SPECIFIED:		PRODUCT SPEC 108-69096-001		RESTRICTED TO	
0 PLC ± -		APPLICATION SPEC		SIZE A3	CAGE CODE 00779
1 PLC ± -		-		DRAWING NO C=2370664	SCALE 1:2
2 PLC ± -		-		SHEET 1 of 1	REV A
3 PLC ± -		-		CUSTOMER DRAWING	
4 PLC ± -		-			
ANGLES ± -		WEIGHT 2.1 kg			
MATERIAL -		FINISH -			