

4

3

2

1

THIS DRAWING IS UNPUBLISHED.

RELEASED FOR PUBLICATION

© COPYRIGHT - By -

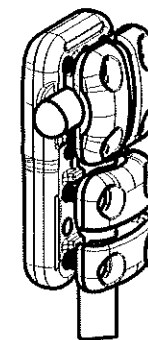
ALL RIGHTS RESERVED.

REVISIONS

P	LIB	DESCRIPTION	DATE	DBI	APVD
A		CREATION	12-SEP-19	GL	-

D

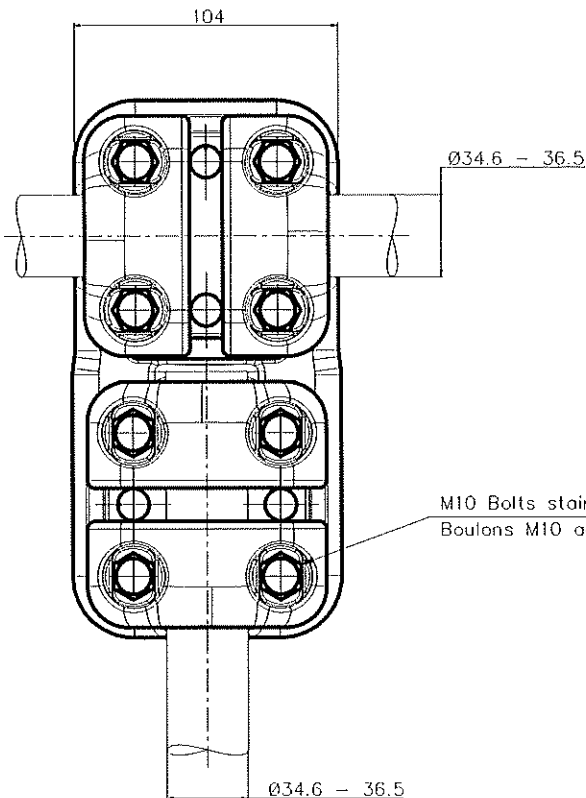
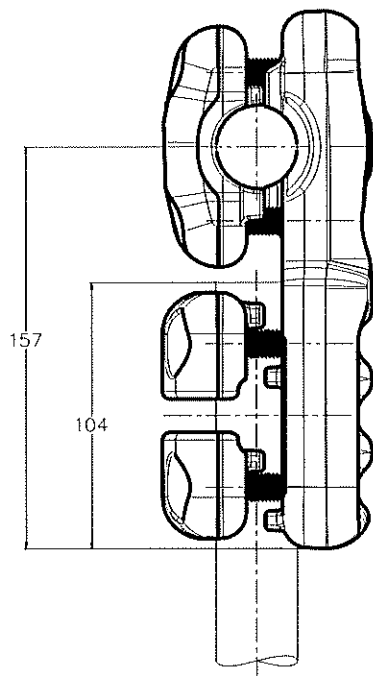
D



No scale - sans echelle

C

C



B

B

A

A

ITEM: 3.7

THIS DRAWING IS A CONTROLLED DOCUMENT.		DWG 12-SEP-19		TE TE Connectivity	
		LAFORGE			
DIMENSIONS:		TOLERANCES UNLESS OTHERWISE SPECIFIED:		NAME	
mm		3 PLC ± -		Tee connector	
		1 PLC ± -		Connecteur en T	
		2 PLC ± -		5 CT 82 M365	
		3 PLC ± -		SIZE CAGE CODE DRAWING NO	
		4 PLC ± -		APPROX. WEIGHT 2.1 kg A300779 C-2362833	
5 PLC ± -		FINISH		RESTRICTED TO	
MATERIAL				SCALE 1/2 SHEET 1 of 1 REV A	
				CUSTOMER DRAWING	