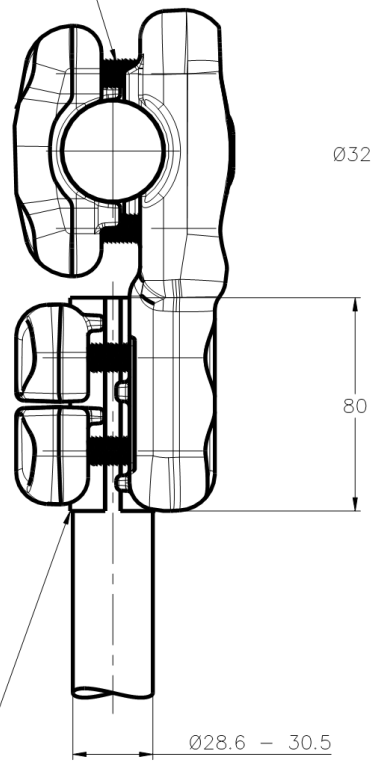


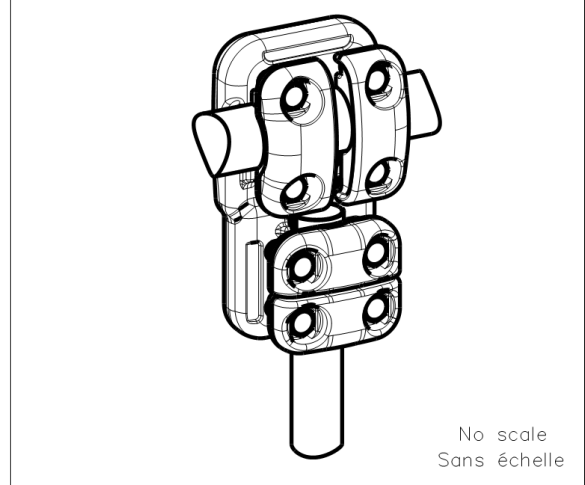
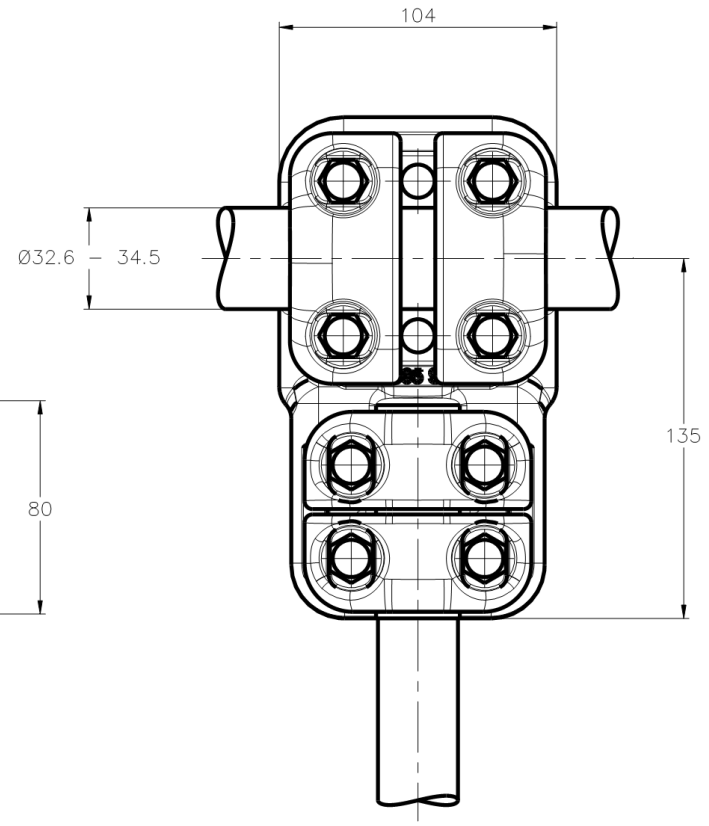
THIS DRAWING IS UNPUBLISHED. RELEASED FOR PUBLICATION
 (C) COPYRIGHT - By - ALL RIGHTS RESERVED.

REVISIONS					
P	LTR	DESCRIPTION	DATE	DWN	APVD
A		CREATION	23APR2018	MT	

M10 Bolts stainless steel A2: 37Nm
 Boulons M10 acier inoxydable A2: 37Nm



Bimetallic sleeve Alu/Copper 32x30Dia
 Fourrure bi-métallique Alu/Cuivre Ø32x30



ITEM: 7.13

THIS DRAWING IS A CONTROLLED DOCUMENT.		DWN	23-APR-18							
DIMENSIONS: mm		CHK	-				NAME	TEE CONNECTOR		
		TOLERANCES UNLESS OTHERWISE SPECIFIED:		PRODUCT SPEC		RACCORD EN TE				
		0 PLC ± -	1 PLC ± -	108-69096-001		5 CT 82 M345 SK305				
MATERIAL		FINISH		APPLICATION SPEC		RESTRICTED TO				
-		-		APPROX. WEIGHT	1.9 kg	SIZE	CAGE CODE	DRAWING NO	APVD	APVD
				CUSTOMER DRAWING		A3	00779	C=2333251	-	-
				SCALE		1:2	SHEET	1 of 1	REV	A