

4

3

2

1

THIS DRAWING IS UNPUBLISHED.

RELEASED FOR PUBLICATION

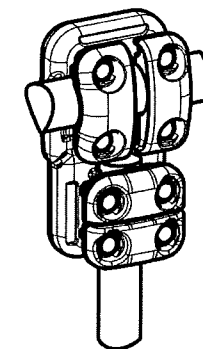
ALL RIGHTS RESERVED.

© COPYRIGHT - By -

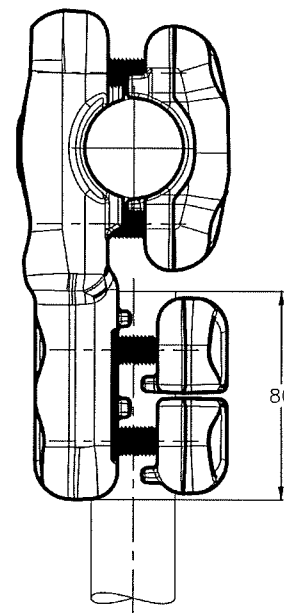
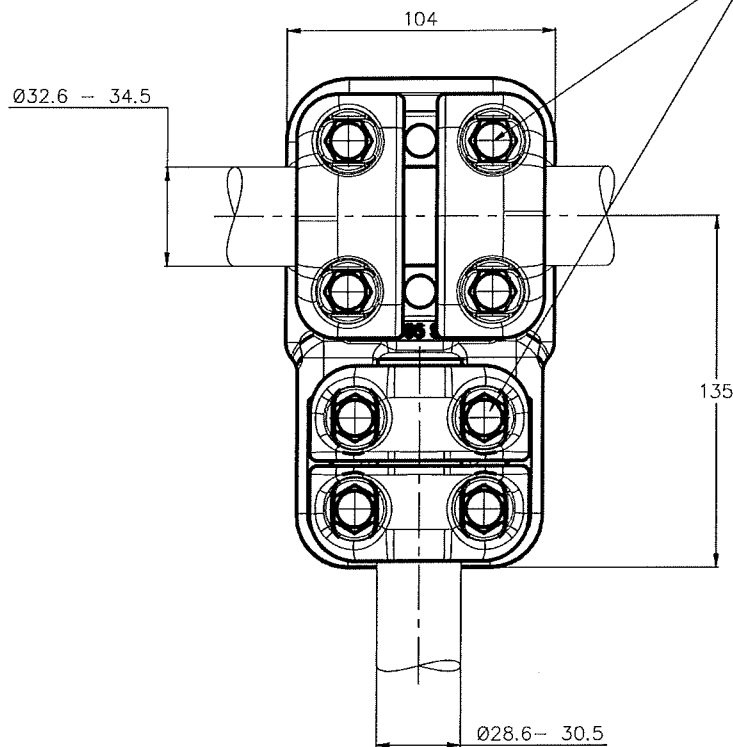
REVISIONS

P	LR	DESCRIPTION	DATE	DRAWN	APVD
A		CREATION	12-OCT-17	GL	-

M10 Bolts stainless steel A2: 37Nm  
 Boulons M10 acier inoxydable A2: 37Nm



No scale  
 Sans échelle



Ø28.6 - 30.5

THIS DRAWING IS A CONTROLLED DOCUMENT.		DRAWN LAFORGE	12-OCT-17														
DIMENSIONS: mm		CHK -	APVD -														
TOLERANCES UNLESS OTHERWISE SPECIFIED:		PRODUCT SPEC		NAME TEE CONNECTOR RACCORD EN TE													
<table border="0"> <tr><td>0 PLC</td><td>± -</td></tr> <tr><td>1 PLC</td><td>± -</td></tr> <tr><td>2 PLC</td><td>± -</td></tr> <tr><td>3 PLC</td><td>± -</td></tr> <tr><td>4 PLC</td><td>± -</td></tr> <tr><td>ANGLES</td><td>± -</td></tr> </table>		0 PLC	± -	1 PLC	± -	2 PLC	± -	3 PLC	± -	4 PLC	± -	ANGLES	± -	108-69096-001		5 CT 82 M345 S305	
0 PLC	± -																
1 PLC	± -																
2 PLC	± -																
3 PLC	± -																
4 PLC	± -																
ANGLES	± -																
MATERIAL		APPROX. WEIGHT 1.89 kg		SIZE A3	CAGE CODE 00779												
FINISH		CUSTOMER DRAWING		DRAWING NO C-2326624	RESTRICTED TO -												
				SCALE 1:2	SHEET 1 OF 1												
ITEM: 2-1				REV A													