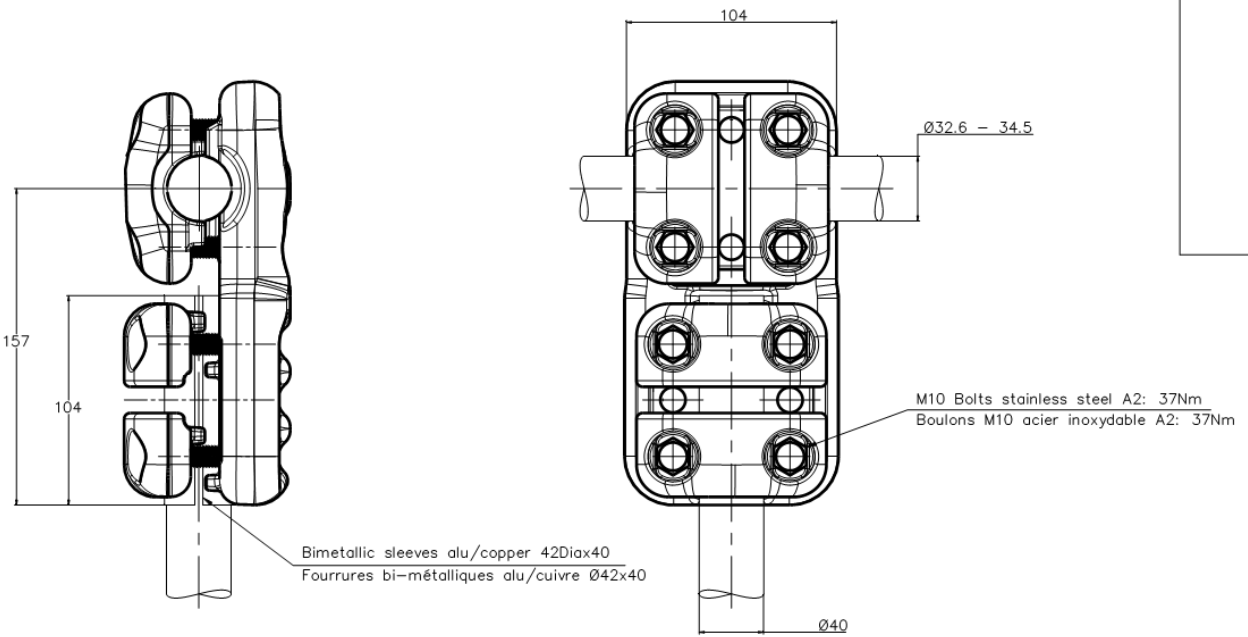
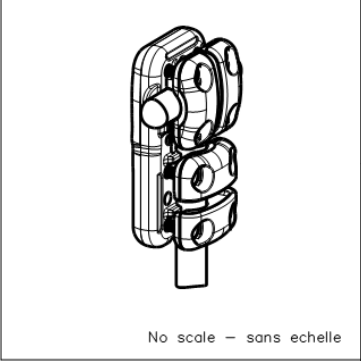


REVISIONS					
P	LTR	DESCRIPTION	DATE	DWN	APVD
A		CREATION	23-APR-20	GL	-



THIS DRAWING IS A CONTROLLED DOCUMENT.		DWN LAFORGE	23-Apr-20	STE TE Connectivity													
DIMENSIONS: mm		CHK -	APVD -			NAME Tee connector Connecteur en T											
TOLERANCES UNLESS OTHERWISE SPECIFIED:		PRODUCT SPEC 108-69096-001		5 CT 82 M345 MK405													
<table border="1"> <tr><td>0 PLC</td><td>± -</td></tr> <tr><td>1 PLC</td><td>± -</td></tr> <tr><td>2 PLC</td><td>± -</td></tr> <tr><td>3 PLC</td><td>± -</td></tr> <tr><td>4 PLC</td><td>± -</td></tr> <tr><td>ANGLES</td><td>± -</td></tr> </table>		0 PLC	± -	1 PLC	± -	2 PLC	± -	3 PLC	± -	4 PLC	± -	ANGLES	± -	APPLICATION SPEC -		SIZE	CAGE CODE
0 PLC	± -																
1 PLC	± -																
2 PLC	± -																
3 PLC	± -																
4 PLC	± -																
ANGLES	± -																
MATERIAL -	FINISH -	WEIGHT 2.1 kg	A3	00779	C=2372994												
CUSTOMER DRAWING			SCALE	1/2	SHEET 1 of 1												
					REV A												