

4

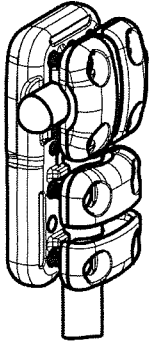
3

2

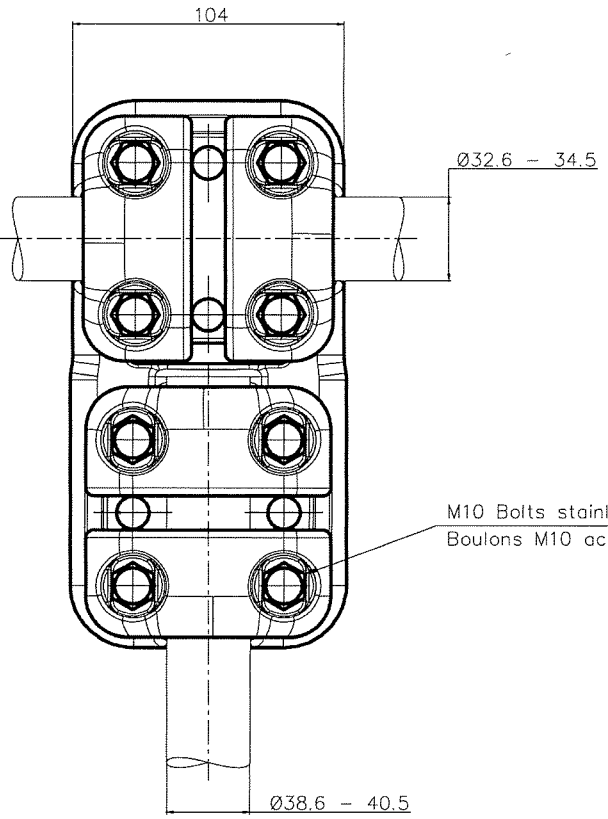
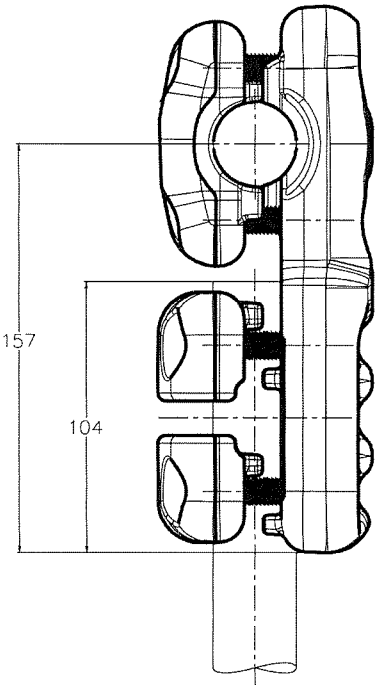
1

THIS DRAWING IS UNPUBLISHED. RELEASED FOR PUBLICATION
 © COPYRIGHT - By - ALL RIGHTS RESERVED.

REVISIONS				
F	LTR	DESCRIPTION	DATE	APVD
	A	CREATION	11-OCT-17	GL



No scale - sans echelle



M10 Bolts stainless steel A2: 37Nm
 Boulons M10 acier inoxydable A2: 37Nm

THIS DRAWING IS A CONTROLLED DOCUMENT.		OWN LAFORGE	11-OCT-17	STE TE Connectivity	
DIMENSIONS: mm		CHK ---	APVD ---		
TOLERANCES UNLESS OTHERWISE SPECIFIED:		NAME		Tee connector Connecteur en T	
0 PLC ± -		PRODUCT SPEC		5 CT 82 M345 M405	
1 PLC ± -		APPLICATION SPEC		RESTRICTED TO	
2 PLC ± -		SIZE	CAGE CODE	DRAWING NO	
3 PLC ± -		APPROX. WEIGHT	A300779	C=2326123	
4 PLC ± -		CUSTOMER DRAWING		SCALE	1/2
ANGLES ± -				SHEET	1 OF 1
FINISH				REV	A
MATERIAL					

ITEM:.....