

4

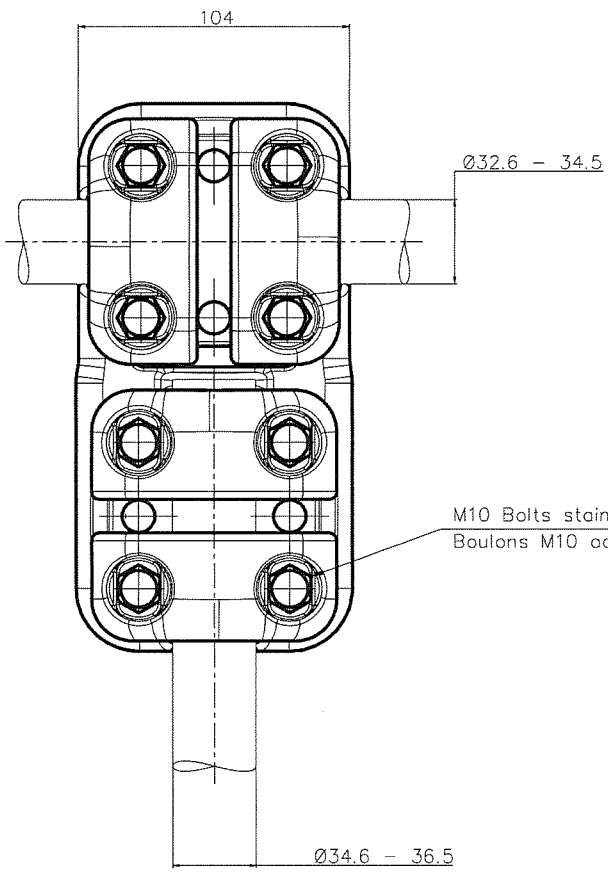
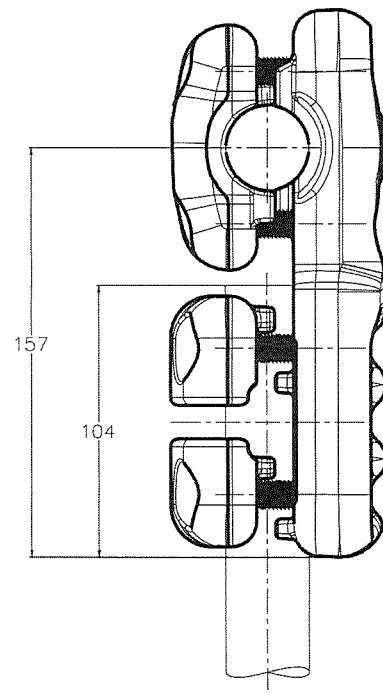
3

2

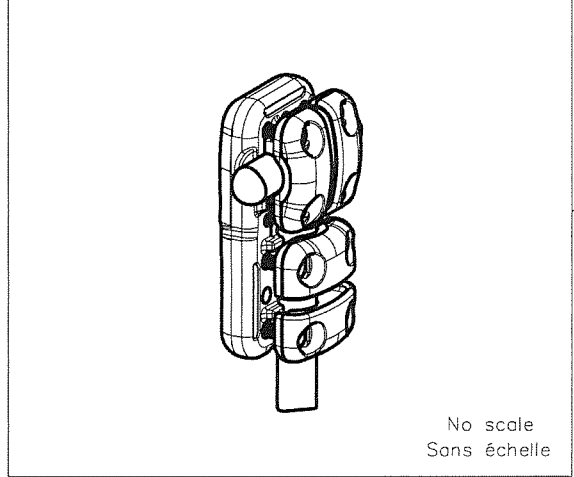
1

© - TE Connectivity. All Rights Reserved.

REVISIONS					
P	LTR	DESCRIPTION	DATE	OWN	APVD
	A	CREATION	5-MAR-20	GL	-



M10 Bolts stainless steel A2: 37Nm  
 Boulons M10 acier inoxydable A2: 37Nm



THIS DRAWING IS A CONTROLLED DOCUMENT.		DWN LAFORGE	5-MAR-20	<b>TE</b> TE Connectivity																			
DIMENSIONS: mm		CHK ---	APVD ---			NAME Tee connector Connecteur en T 5 CT 82 M345 M365																	
TOLERANCES UNLESS OTHERWISE SPECIFIED:		PRODUCT SPEC 108-69096-001		SIZE A3	CAGE CODE 00779																		
<table border="1"> <tr><td>0 PLC</td><td>±</td><td>-</td></tr> <tr><td>1 PLC</td><td>±</td><td>-</td></tr> <tr><td>2 PLC</td><td>±</td><td>-</td></tr> <tr><td>3 PLC</td><td>±</td><td>-</td></tr> <tr><td>4 PLC</td><td>±</td><td>-</td></tr> <tr><td>ANGLES</td><td>±</td><td>-</td></tr> </table>		0 PLC	±	-	1 PLC	±	-	2 PLC	±	-	3 PLC	±	-	4 PLC	±	-	ANGLES	±	-	APPLICATION SPEC ---		DRAWING NO C=2370665	RESTRICTED TO ---
0 PLC	±	-																					
1 PLC	±	-																					
2 PLC	±	-																					
3 PLC	±	-																					
4 PLC	±	-																					
ANGLES	±	-																					
MATERIAL ---	FINISH ---	WEIGHT 2.1 kg	SCALE 1:2 SHEET 1 of 1 REV A																				
CUSTOMER DRAWING																							