

THIS DRAWING IS UNPUBLISHED.

RELEASED FOR PUBLICATION

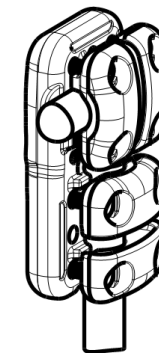
-,-

© COPYRIGHT - By -

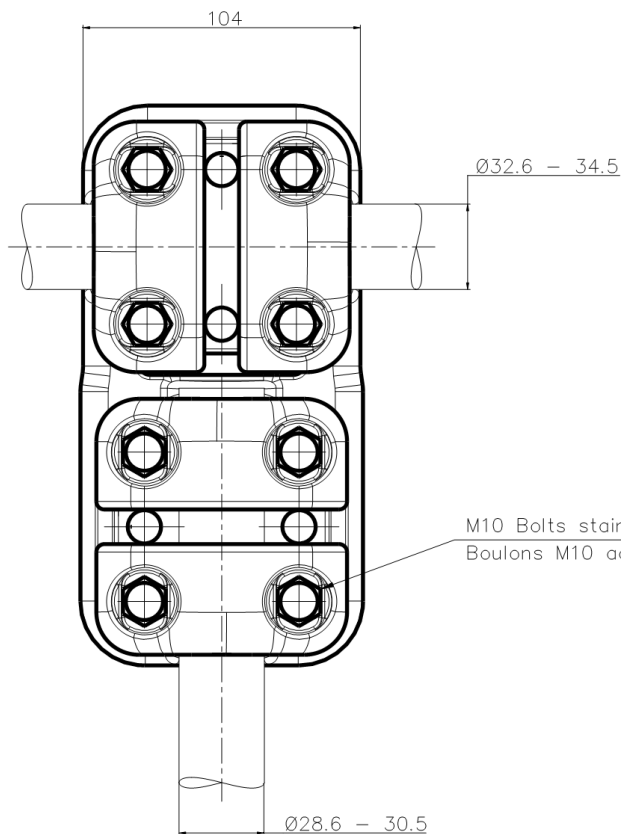
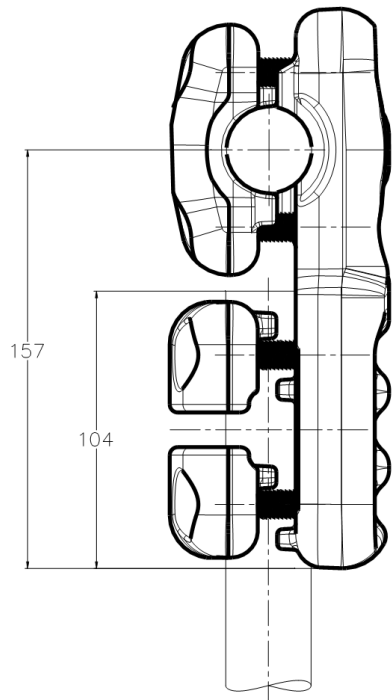
ALL RIGHTS RESERVED.

REVISIONS

P	LTR	DESCRIPTION	DATE	DWN	APVD
A		CREATION	15-JUNE-18	MT	-



No scale - sans echelle



M10 Bolts stainless steel A2: 37Nm  
 Boulons M10 acier inoxydable A2: 37Nm

THIS DRAWING IS A CONTROLLED DOCUMENT.		DWN	15-JUNE-18		<b>TE</b> TE Connectivity
		CHK	-		
DIMENSIONS: mm		TOLERANCES UNLESS OTHERWISE SPECIFIED:		APVD	NAME
		0 PLC	± -	PRODUCT SPEC	Tee connector Connecteur en T
		1 PLC	± -	108-69096-001	
		2 PLC	± -	APPLICATION SPEC	5 CT 82 M345 M305
		3 PLC	± -	APPROX. WEIGHT	2.1 kg
		4 PLC	± -	SIZE	A3
		ANGLES	± -	CAGE CODE	00779
MATERIAL	FINISH			DRAWING NO	C=2338513
				RESTRICTED TO	-
CUSTOMER DRAWING				SCALE	1/2
				SHEET	1 of 1
				REV	A

ITEM: 7