

4

3

2

1

THIS DRAWING IS UNPUBLISHED.

RELEASED FOR PUBLICATION

-,-

ALL RIGHTS RESERVED.

© COPYRIGHT - By -

REVISIONS

P	LTR	DESCRIPTION	DATE	DWN	APVD
A		CREATION	07-JUL-20	BH	-

D

D

C

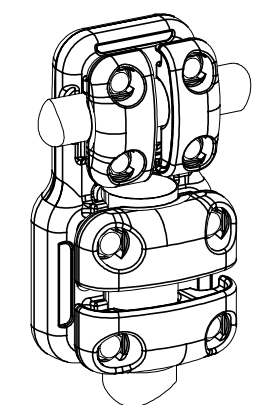
C

B

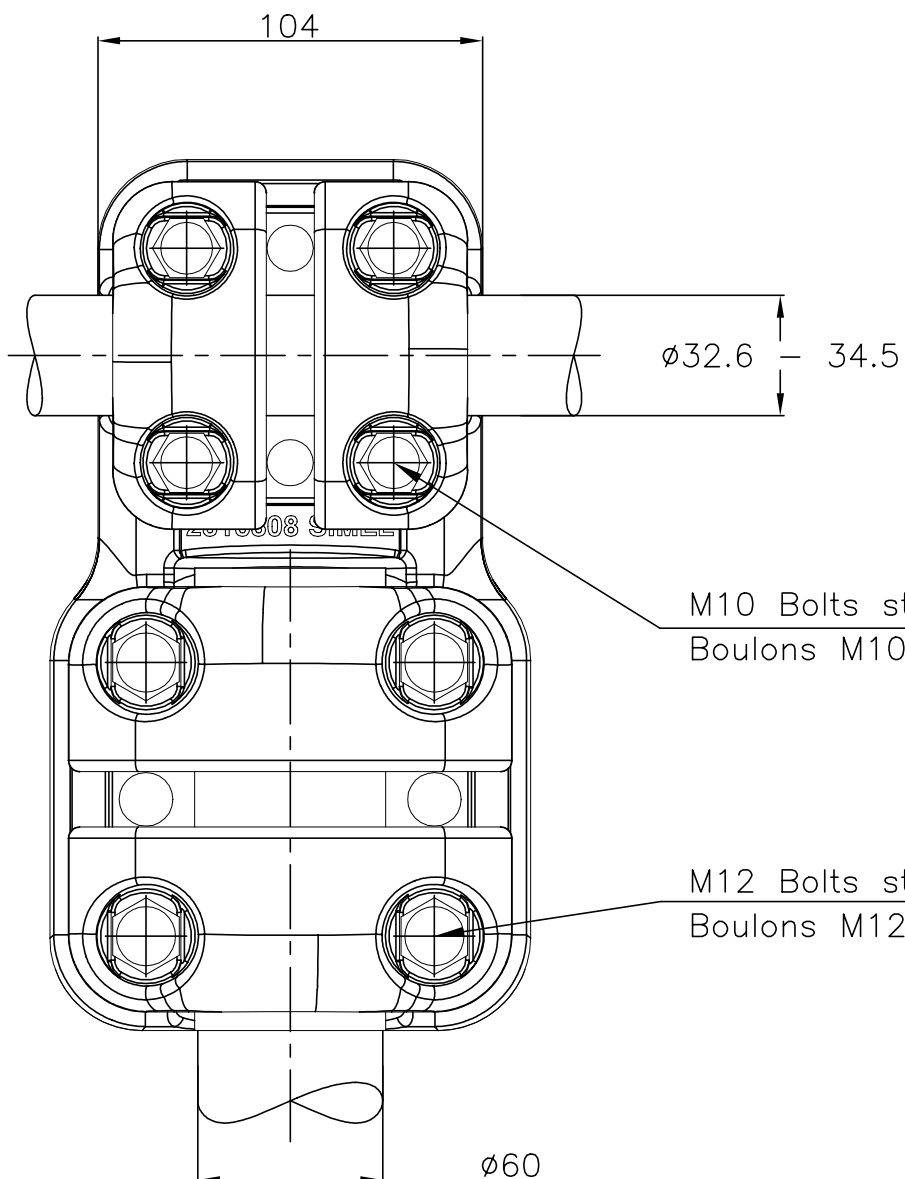
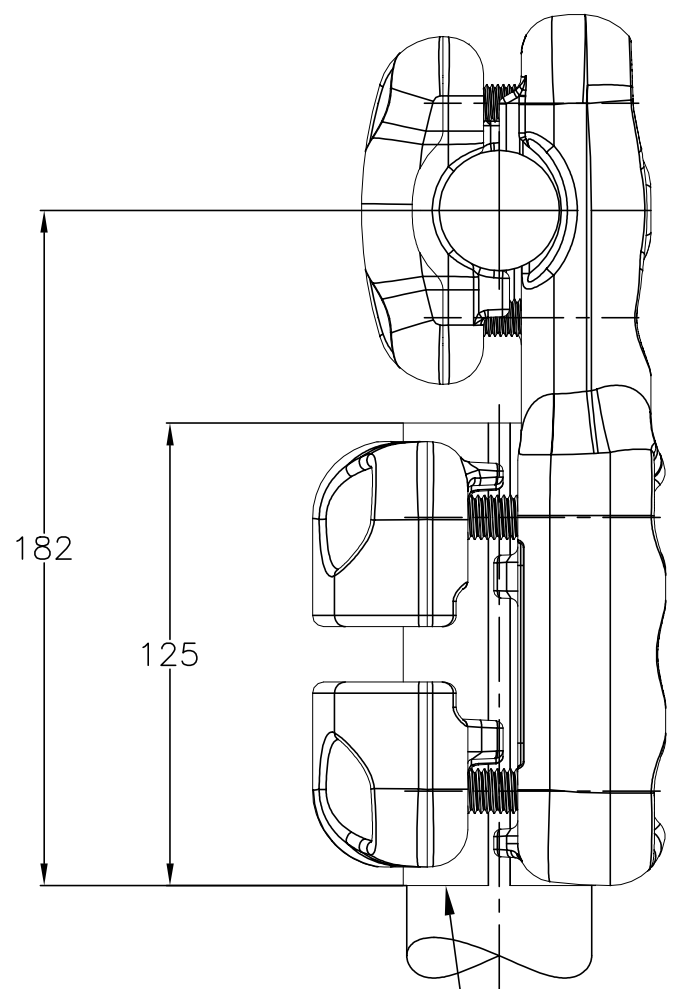
B

A

A



No scale
Sans échelle



M10 Bolts stainless steel A2: 37Nm
Boulons M10 acier inoxydable A2: 37Nm

M12 Bolts stainless steel A2: 60Nm
Boulons M12 acier inoxydable A2: 60Nm

Bimetallic sleeve alu/Copper 62x60Dia
Fourrure bi-métallique alu/cuivre ø62x60

THIS DRAWING IS A CONTROLLED DOCUMENT.		DWN	HUARD	07-Jul-20	TE TE Connectivity	
		CHK	-	-		
DIMENSIONS: mm		TOLERANCES UNLESS OTHERWISE SPECIFIED:		NAME		
		0 PLC ± -		TEE CONNECTOR		
		1 PLC ± -		RACCORD EN TE		
		2 PLC ± -		5 CT 82 M345 LK605		
		3 PLC ± -		SIZE	CAGE CODE	DRAWING NO
		4 PLC ± -		A3 00779		2376734
		ANGLES ± -		RESTRICTED TO		
MATERIAL		FINISH		APPROX.WEIGHT	-	
-		-		2.92 kg	-	
CUSTOMER DRAWING				SCALE	SHEET	REV
				1:2	1 of 1	A

ITEM:.....