

4

3

2

1

THIS DRAWING IS UNPUBLISHED.

RELEASED FOR PUBLICATION

-, - .

ALL RIGHTS RESERVED.

© COPYRIGHT - By -

REVISIONS

P	LTR	DESCRIPTION	DATE	DWN	APVD
A		CREATION	07-JUL-20	BH	-

D

D

C

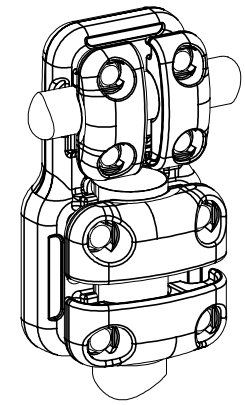
C

B

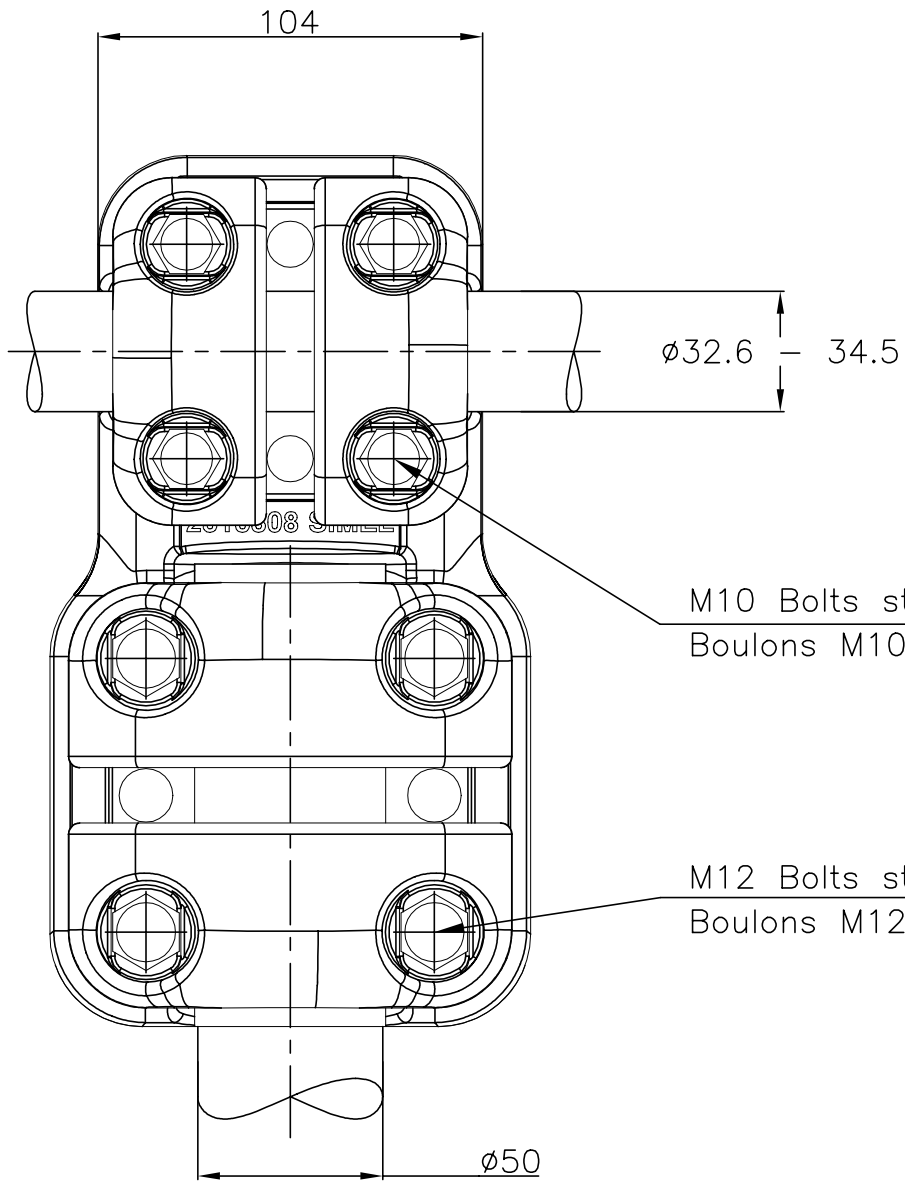
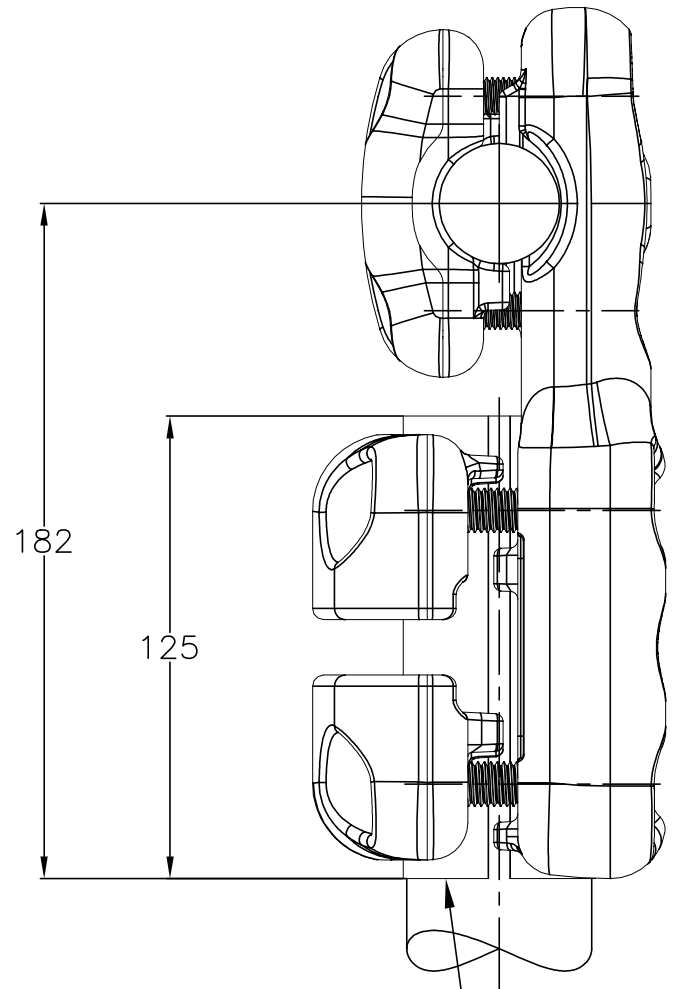
B

A

A




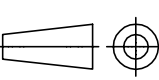
No scale
Sans échelle



M10 Bolts stainless steel A2: 37Nm
Boulons M10 acier inoxydable A2: 37Nm

M12 Bolts stainless steel A2: 60Nm
Boulons M12 acier inoxydable A2: 60Nm

Bimetallic sleeve alu/Copper 52x50Dia
Fourrure bi-métallique alu/cuivre ø52x50

THIS DRAWING IS A CONTROLLED DOCUMENT.		DWN	HUARD	07-Jul-20	 TE Connectivity
		CHK	-	-	
DIMENSIONS: mm		TOLERANCES UNLESS OTHERWISE SPECIFIED:		NAME	
		0 PLC ± -		TEE CONNECTOR	
		1 PLC ± -		RACCORD EN TE	
MATERIAL		2 PLC ± -		5 CT 82 M345 LK505	
		3 PLC ± -		SIZE	
		4 PLC ± -		CAGE CODE	
		ANGLES ± -		DRAWING NO	
		FINISH		RESTRICTED TO	
				APPROX.WEIGHT 2.92 kg	
				A3 00779 C=2376731	
				CUSTOMER DRAWING	
				SCALE 1:2	
				SHEET 1 of 1	
				REV A	

ITEM:.....