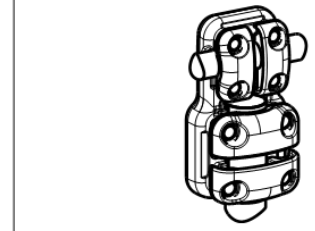
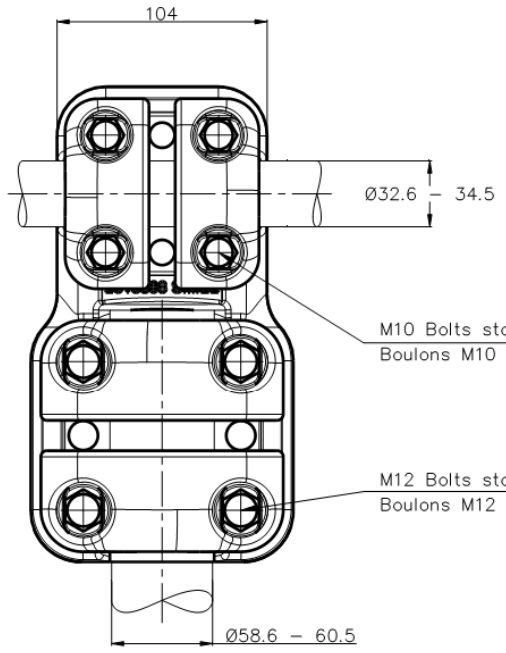
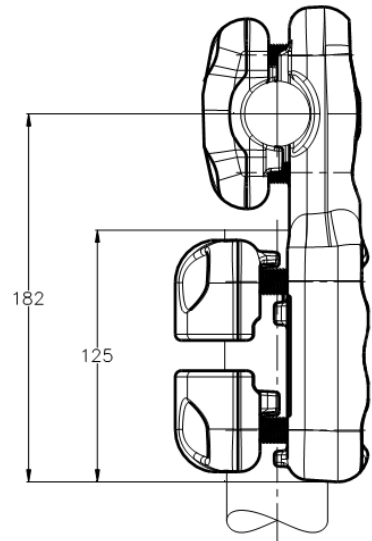


THIS DRAWING IS UNPUBLISHED. RELEASED FOR PUBLICATION
 © COPYRIGHT - By - ALL RIGHTS RESERVED.

REVISIONS					
P	LTR	DESCRIPTION	DATE	DM	APVD
A		CREATION	10-OCT-17	GL	-



No scale
 Sans échelle

M10 Bolts stainless steel A2: 37Nm
 Boulons M10 acier inoxydable A2: 37Nm

M12 Bolts stainless steel A2: 60Nm
 Boulons M12 acier inoxydable A2: 60Nm

THIS DRAWING IS A CONTROLLED DOCUMENT.		DWI	10-OCT-17		TE Connectivity									
		CHK	-											
DIMENSIONS: mm		TOLERANCES UNLESS OTHERWISE SPECIFIED:		NAME	TEE CONNECTOR RACCORD EN TE 5 CT 82 M345 L605									
0 PLC ± - 1 PLC ± - 2 PLC ± - 3 PLC ± - 4 PLC ± - ANGLES ± -		APVD	-											
		PRODUCT SPEC	108-69096-001		RESTRICTED TO									
MATERIAL		APPLICATION SPEC	-		SIZE	CAGE CODE	DRAWING NO	APPROX. WEIGHT	2.92 kg	A3	00779	C=2325949	REV	A
FINISH		-		CUSTOMER DRAWING			SCALE	1:2	SHEET	1 of 1	REV	A		

ITEM:.....