

4

3

2

1

THIS DRAWING IS UNPUBLISHED.

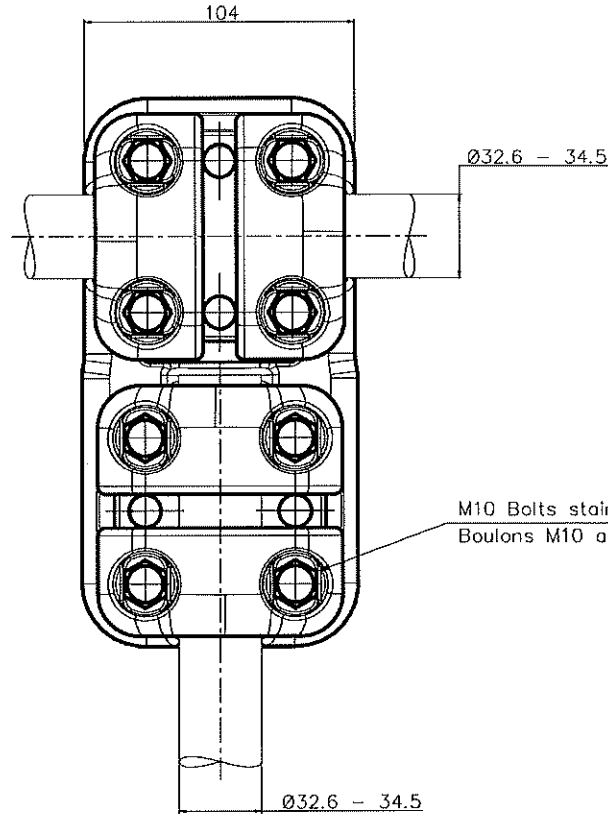
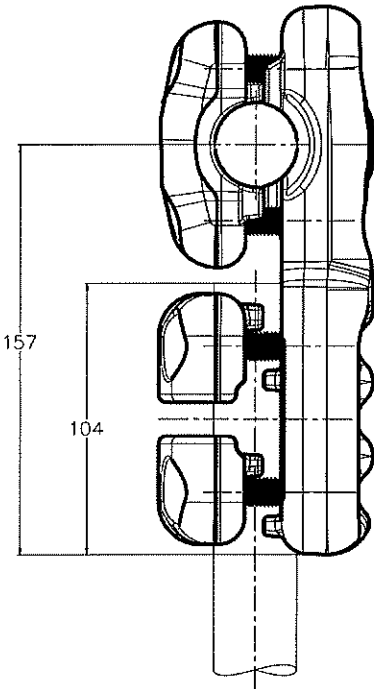
RELEASED FOR PUBLICATION

© COPYRIGHT - By -

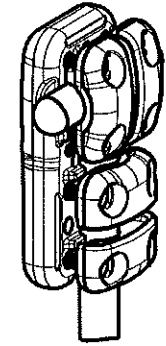
ALL RIGHTS RESERVED.

REVISIONS

P	LTR	DESCRIPTION	DATE	DRN	APVD
A		CREATION	10-OCT-17	GL	-



M10 Bolts stainless steel A2: 37Nm  
 Boulons M10 acier inoxydable A2: 37Nm



No scale - sans echelle

THIS DRAWING IS A CONTROLLED DOCUMENT.		DRN LAFORGE	10-OCT-17	<b>STE</b> TE Connectivity													
DIMENSIONS: mm		CHK -	APVD -			NAME Tee connector Connecteur en T											
TOLERANCES UNLESS OTHERWISE SPECIFIED:		PRODUCT SPEC 108-69096-001		APPLICATION SPEC 5 CT 82 M345													
<table border="1"> <tr><td>0 PLC</td><td>± -</td></tr> <tr><td>1 PLC</td><td>± -</td></tr> <tr><td>2 PLC</td><td>± -</td></tr> <tr><td>3 PLC</td><td>± -</td></tr> <tr><td>4 PLC</td><td>± -</td></tr> <tr><td>ANGLES</td><td>± -</td></tr> </table>		0 PLC	± -	1 PLC	± -	2 PLC	± -	3 PLC	± -	4 PLC	± -	ANGLES	± -	APPROX. WEIGHT 2.1 kg	SIZE A300779	CAGE CODE C=2325947	RESTRICTED TO -
0 PLC	± -																
1 PLC	± -																
2 PLC	± -																
3 PLC	± -																
4 PLC	± -																
ANGLES	± -																
MATERIAL -		CUSTOMER DRAWING		SCALE 1/2	SHEET 1 of 1												
ITEM: 2				REV A													