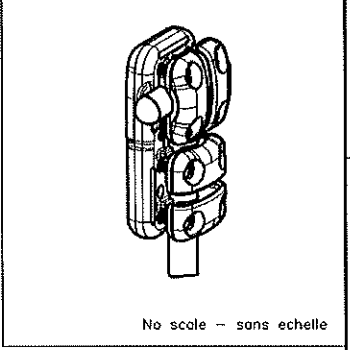
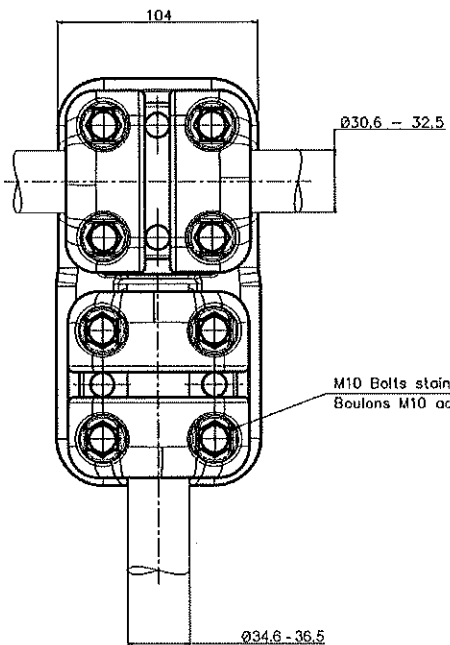
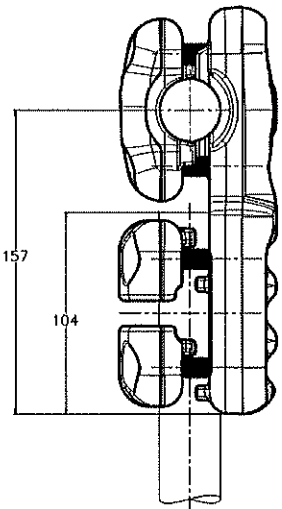


THIS DRAWING IS UNPUBLISHED. RELEASED FOR PUBLICATION. ALL RIGHTS RESERVED.

REVISIONS					
N°	LR	DESCRIPTION	DATE	SR	APR
A		CREATION	19FEV2019	RM	--



M10 Bolts stainless steel A2: 37Nm
Boulons M10 acier inoxydable A2: 37Nm

ITEM:..... 3.8

THIS DRAWING IS A CONTROLLED DOCUMENT.		DRW: MIGNON	19FEV2019	STE TE Connectivity	
DIMENSIONS: mm		CHR: --	APPROX WEIGHT: 2.1 kg		
TOLERANCES UNLESS OTHERWISE SPECIFIED:		NAME: Tee connector		DRAWING NO: C-2351729	
1. PLC ± .1	2. PLC ± .1	PRODUCT SPEC: 108-69096-001		RESTRICTED TO: --	
3. PLC ± .1	4. PLC ± .1	APPLICATION SPEC: --		SCALE: 1/2	
MATERIAL: --	FINISH: --	CUSTOMER DRAWING		SHEET: 1 d 1	
				REV: A	