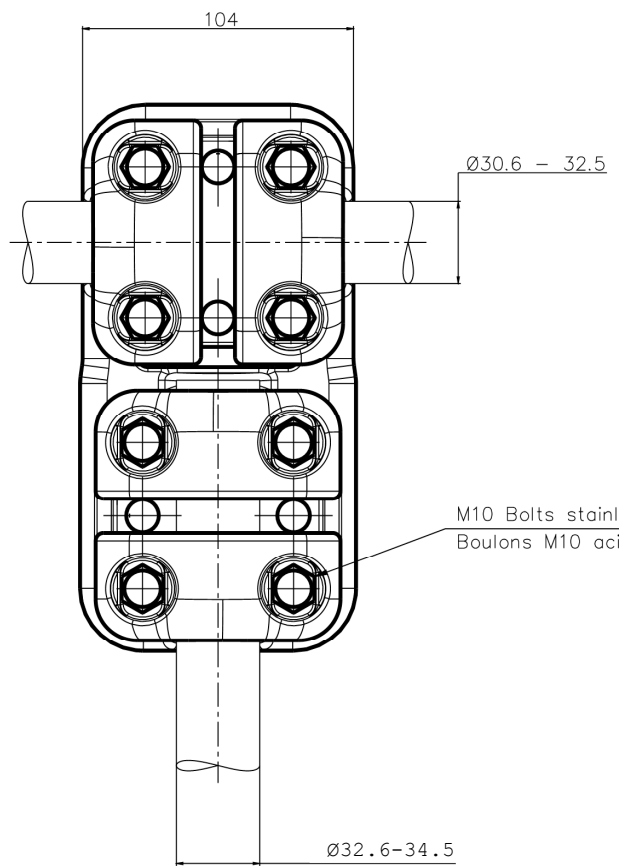
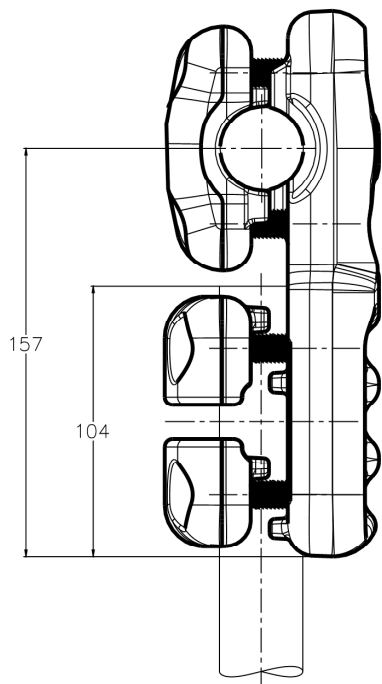
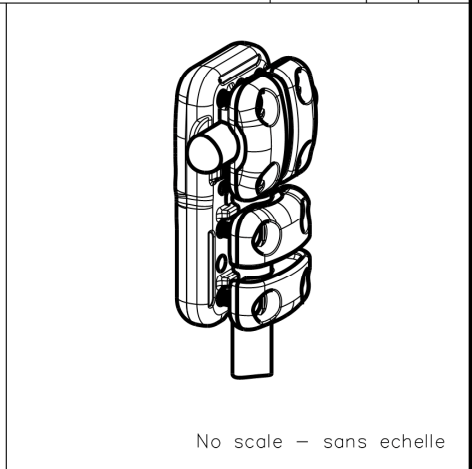


THIS DRAWING IS UNPUBLISHED. RELEASED FOR PUBLICATION
 © COPYRIGHT - By - ALL RIGHTS RESERVED.

REVISIONS				
P	LTR	DESCRIPTION	DATE	APVD
A		CREATION	30-APR-18	MT



M10 Bolts stainless steel A2: 37Nm
 Boulons M10 acier inoxydable A2: 37Nm

THIS DRAWING IS A CONTROLLED DOCUMENT.		DWN TALPIN	30-APR-18	TE TE Connectivity	
DIMENSIONS: mm		CHK -	APVD -		
TOLERANCES UNLESS OTHERWISE SPECIFIED:		PRODUCT SPEC		DRAWING NO	
1 PLC ± -		108-69096-001		RESTRICTED TO	
2 PLC ± -		APPLICATION SPEC		SIZE	CAGE CODE
3 PLC ± -		-		A3	00779
4 PLC ± -		-		DRAWING NO	
ANGLES ± -		-		C-2332364	
MATERIAL		APPROX. WEIGHT		SCALE	
-		2.1 kg		1/2	
FINISH		CUSTOMER DRAWING		SHEET	
-		-		1 OF 1	
				REV	
				A	

ITEM:.....