

4

3

2

1

THIS DRAWING IS UNPUBLISHED.

RELEASED FOR PUBLICATION

ALL RIGHTS RESERVED.

COPYRIGHT - By -

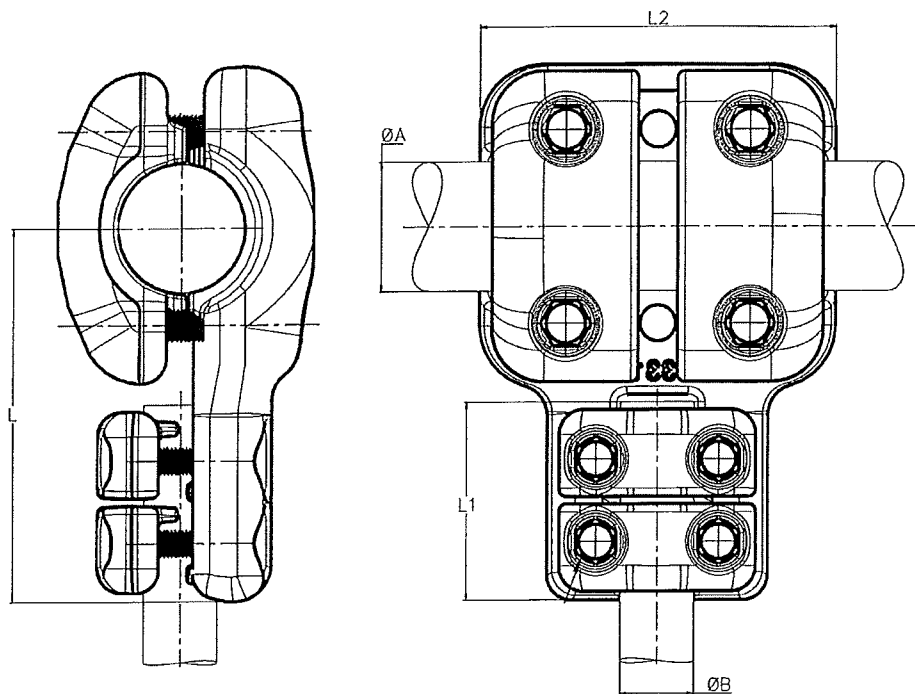
REVISIONS

P	LTR	DESCRIPTION	DATE	DWI	APVD
A		CREATION	26-Jan-17	PG	-

Ø A = 50 mm

Ø B = 20.6 TO 22.5

FIG-1



THIS DRAWING IS A CONTROLLED DOCUMENT.		DWI GARNIER P.	26-Jan-17	<b>TE</b> TE Connectivity	
DIMENSIONS: inches		GR	-		
TOLERANCES UNLESS OTHERWISE SPECIFIED:		APVD	-	NAME TEE CONNECTOR	
<ul style="list-style-type: none"> <li>Ø PLC ± -</li> <li>1 PLC ± -</li> <li>2 PLC ± -</li> <li>3 PLC ± -</li> <li>4 PLC ± -</li> <li>ANGLES ± -</li> </ul>		PRODUCT SPEC	-	DRAWING NO A300779 C=2316032	
MATERIAL		APPLICATION SPEC	-	SIZE	RESTRICTED TO
FINISH		APPROX WEIGHT	-	A300779	-
		CUSTOMER DRAWING		SCALE	1/2
				SHEET	1 of 1
				REV	A

ITEM: 4