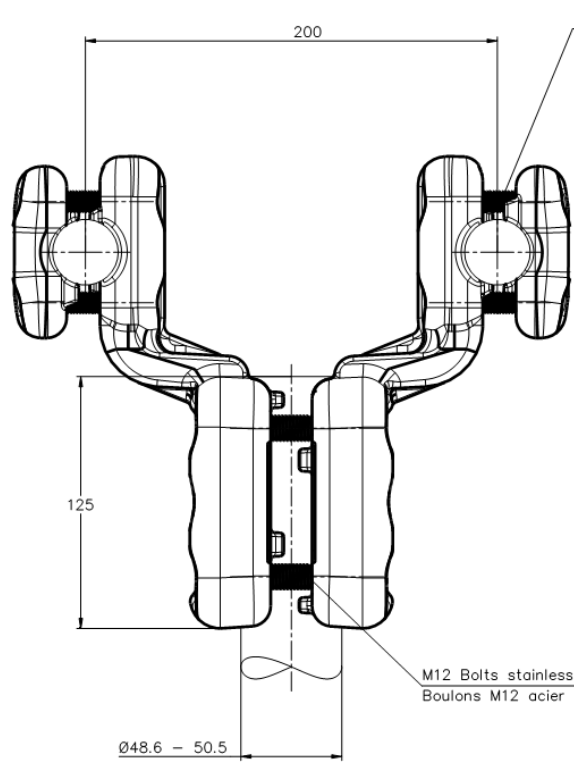
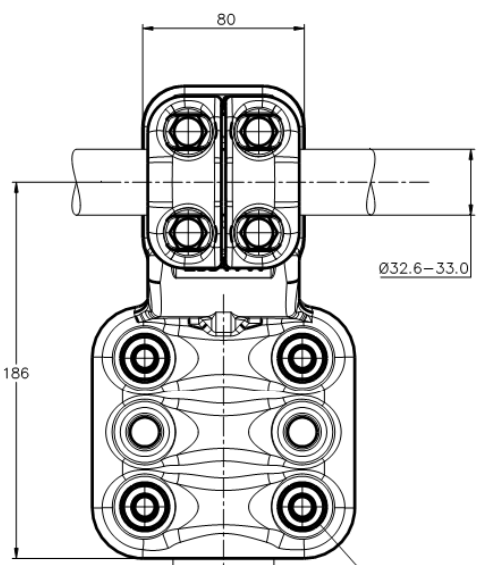


THIS DRAWING IS UNPUBLISHED. RELEASED FOR PUBLICATION  
 © COPYRIGHT - By - ALL RIGHTS RESERVED.

REVISIONS					
P	LTR	DESCRIPTION	DATE	DWI	APVD
A		CREATION	31-JAN-20	GL	-

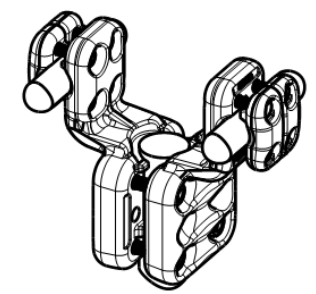


M10 Bolts stainless steel A2: 37Nm  
 Boulons M10 acier inoxydable A2: 37Nm

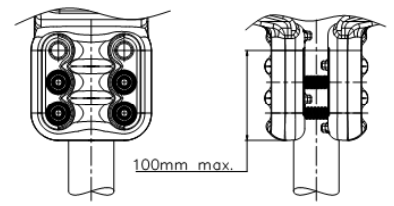


M12 Bolts stainless steel A2: 60Nm  
 Boulons M12 acier inoxydable A2: 60Nm

SEE NOTE 1  
 VOIR NOTE 1



No scale  
 Sans échelle



NOTE 1: Bolts Assembly for Stud length up to 100mm  
 Assemblage Boulons sur Borne longueur jusqu'à 100mm

Derivative current: 2000A maxi  
 Courant dérivé: 2000A maxi

ITEM:.....

THIS DRAWING IS A CONTROLLED DOCUMENT.		DWI: LAFORGE	31-JAN-20	<b>STE</b> TE Connectivity	
DIMENSIONS: mm		CHK: -	APVD: -		
TOLERANCES UNLESS OTHERWISE SPECIFIED:		NAME: TEE CONNECTOR FOR TWIN CONDUCTORS TO STUD		RESTRICTED TO	
0 PLC ± -	1 PLC ± -	PRODUCT SPEC: 108-69096-001		CONNECTEUR EN TE POUR FAISCEAU DOUBLE SUR BORNE	
2 PLC ± -	3 PLC ± -	APPLICATION SPEC: -		5 CT 82 F S330 E200 L505	
4 PLC ± -	ANGLES ± -	APPROX. WEIGHT: 4.3 kg	SIZE: A3	CAGE CODE: 00779	DRAWING NO: C=2368706
MATERIAL: -	FINISH: -	CUSTOMER DRAWING		SCALE: 1:2	SHEET: 1 of 1